

**VI45G****FEATURES**

Breathe cleaner air and enjoy less greasy residue in your kitchen

Adjust as needed with recessed controls that provide a sleeker look, yet maintain ultimate blower control

Matches the same heavy-duty stainless-steel construction, hand-finished hemmed edges, and welded seams of all Sub-Zero, Wolf, and Cove products

Select from internal, in-line, or remote blower options (blower required)

Telescoping chimney reaches standard ceiling heights

**ACCESSORIES**

Flue Extension

Recirculating Filter

Recirculating Kit

Remote Control

Inline Blowers

Internal Blowers

Remote Blowers

Accessories available through an authorized dealer.

For local dealer information, visit [subzero-wolf.com/locator](https://www.subzero-wolf.com/locator).

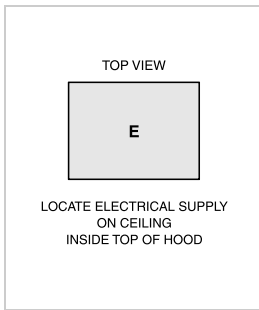
**BLOWER OPTIONS**

- 300 CFM Internal
- 600 CFM Internal
- 600 CFM Inline
- 600 CFM Remote

**PRODUCT SPECIFICATIONS**

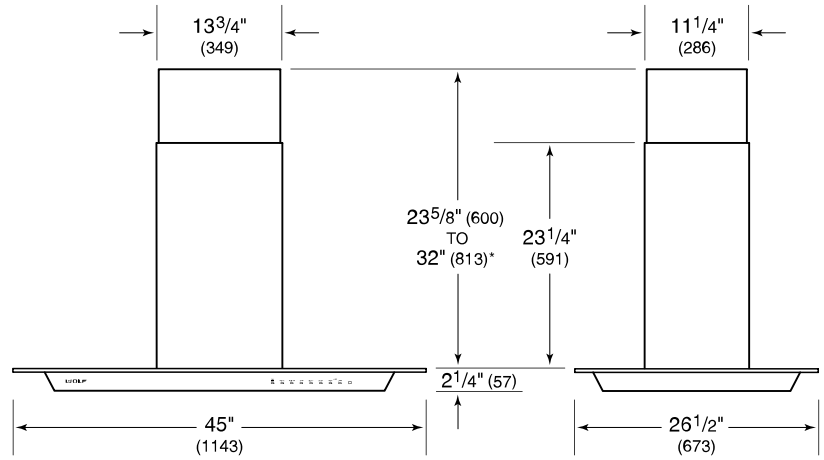
|                              |                           |
|------------------------------|---------------------------|
| Model                        | VI45G                     |
| Dimensions                   | 45"W x 2 1/4"H x 26 1/2"D |
| Weight                       | 92 lbs                    |
| Electrical Supply            | 110/120 VAC, 60 Hz        |
| Electrical Service           | 15 amp dedicated circuit  |
| Discharge Location           | Vertical                  |
| Discharge Dimensions         | 6" Round                  |
| Bottom of Hood to Countertop | 24" to 36"                |
| Receptacle                   | 3-prong grounding-type    |

**ELECTRICAL**



**NOTE:** Dimensions in parenthesis are in millimeters unless otherwise specified

**DIMENSIONS**



\*46 1/4" (1175) to 55" (1397) with accessory flue extension.