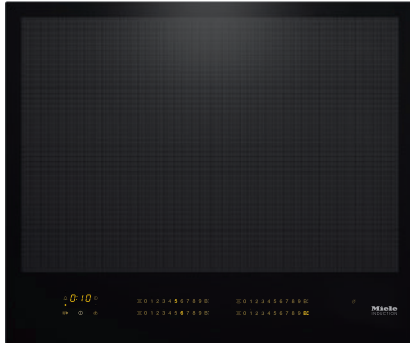


KM 7667 FL

Induction hob with onset controls

with a width of 620 mm and full-surface induction for a high level of flexibility



- Intuitive quick selection via number sequences – Smart Select
- Intelligent pan recognition – for up to 4 pans
- Frameless for flush-fit or surface-mounted installation
- Broad performance spectrum – keeping warm function and TwinBooster
- Communication with the hood – automatic Con@ctivity function

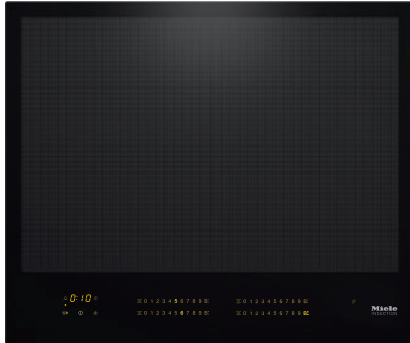
EAN: 4002516148821 / Material number: 11144080 / Old Material Number: 26766770GB

Heating type	
Heating type	Induction
Construction type	
Independent of cooker	•
Design	
Elegant glass ceramic surface	•
Flush	•
Ceramic surface colour	Black
Surface-mounted installation	•
Can be combined with SmartLine	•
Can be combined with SmartLine downdraft extractor	•
Cooking zone details	
Number of cooking areas	1
Maximum number of pans	4
1st cooking zone/cooking area	
Position	Can be selected freely
Type	Full area
Size in mm	570 x 390
Max. Booster power rating in W	3300
Max. rating in W	2600
Max. TwinBooster power rating in W	3650
User convenience	
Miele@home	•
Operation via sensor controls	Smart Select
Automatic function Con@ctivity	•
Pan and pan size recognition	•
Display colour	Yellow
Auto heat-up	•
Keeping warm	•
Stop & Go function	•
Recall function	•
Minute minder	•
Safety switch-off	•
Intelligent pan recognition	•
Positioning aid	•
Individual setting options (e.g. buzzers)	•
Efficiency and sustainability	
Power rating in off mode in W	0.5
Power rating in standby mode in W	1.0
Power rating in networked standby in W	2.0
Time until automatic switch to off mode in min	20
Time until automatic switch to standby in min	20
Time until automatic switch to networked standby in min	20
Cleaning convenience	
Easy to clean ceramic glass	•
Wipe protection	•
Safety	
Safety switch-off	•
Lock function	•
System lock	•

KM 7667 FL

Induction hob with onset controls

with a width of 620 mm and full-surface induction for a high level of flexibility



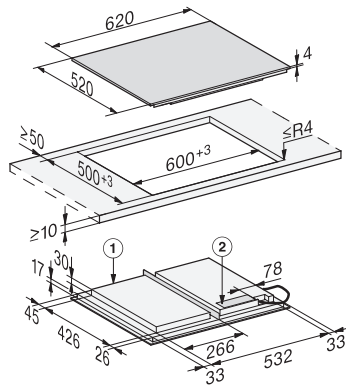
EAN: 4002516148821 / Material number: 11144080 / Old Material Number: 26766770GB

Integrated cooling fan	•
Overheating protection	•
Residual heat indicator	•
Technical data	
Dimensions (H x W x D) in mm	51 x 620 x 520
Dimensions in mm (width)	620
Dimensions in mm (height)	51
Casing height incl. connection box in mm	51
Dimensions in mm (depth)	520
Cut-out dimensions (W x D) with flush-fit installation in mm	600/624 x 500/524
Cutout dimensions in mm (width) with surface-mounted installation	600
Cutout dimensions in mm (depth) with surface-mounted installation	500
Internal cutout dimensions in mm (width) with flush installation	600
Internal cutout dimensions in mm (depth) with flush installation	500
Weight in kg	11
External cutout dimensions in mm (width) with flush installation	624
External cutout dimensions in mm (depth) with flush installation	524
Total rated load in kW	7.30
Length of supply lead in m	1.4
Voltage in V	230
Frequency in Hz	50-60
Accessories supplied	
Number of mains cables with plug	Yes

KM 7667 FL

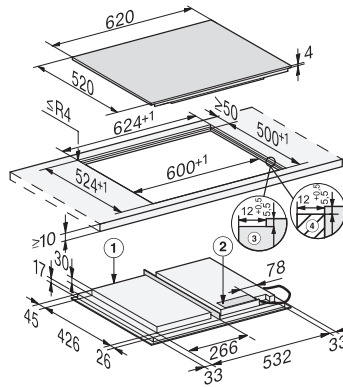
Induction hob with onset controls

with a width of 620 mm and full-surface induction for a high level of flexibility



KM7667FL, KM7867FL, KM7867-1FL Diamond, KM7867-2FL Diamond – onset installation (installation drawings)

1) Front, 2) Mains connection box with mains connection cable, L = 1440 mm, are enclosed loosely,



KM7667FL, KM7867FL, KM7867-1FLDiamond, KM7867-2FL Diamond – flush (installation drawings)

1) Front, 2) Mains connection box with mains connection cable, L = 1440 mm, are enclosed loosely, 3) Stepped cut-out natural stone worktop, 4) Wood support 12 mm (not supplied)