



BM451100
Combi-microwave oven 400 series
Full glass door in Gaggenau Anthracite
Width 60 cm
Left-hinged
Controls at the top

Handleless door / automatic door opening
 Single operation and combination of microwave, grill and oven
 Sequential operation of up to 5 modes incl. programming of combined operation and rest time
 TFT touch display
 Panel-free appliance with surface control module
 Electronic temperature control
 Interior volume 36 litres

Programmes
 Microwave operation with 5 output levels: 1000, 600, 360, 180, 90 W.
 Oven operation with 4 heating methods:
 Hot air 40 °C and from 100 °C to 250 °C,
 Full surface grill + hot air from 100 °C to 250 °C,
 Full surface grill + circulated air from 100 °C to 250 °C
 Full surface grill with 3 levels of intensity, maximum output 2000 W.
 Heating methods with microwave output levels 600, 360, 180 and 90 W freely combinable.
 15 automatic programmes with weight indication, customisable:
 4 defrosting programmes
 4 cooking programmes
 7 combination programmes
 Option to save individual recipes.

Handling
 Automatic door opening.
 Rotary knob and TFT touch display operation.
 Information key with use indications.
 Side-opening door opens up to 180° angle.

Features
 Innovave.
 Rapid heating.
 4 rack levels.
 Actual temperature display.
 60 W halogen light on the side.

Safety
 Thermally insulated door with triple glazing.
 Triple door lock.
 Child lock.
 Safety shut-off.
 Cooled housing with temperature protection.

Cleaning
 Hygienic stainless steel interior with glass ceramic base.
 Interior back wall with catalytic coating.

Planning notes
 Door hinge not reversible.
 Plan the niche without back wall.
 The door panel surface of the appliance extends 47 mm from the furniture cavity.
 If the handle (optional accessory) is retrofitted, the outer edge of the door handle extends 94 mm from the furniture cavity.
 Consider the overhang, incl. the door handle where applicable, when planning to open drawers next to the appliance.
 When planning a corner solution, pay attention to the 110° door opening angle.
 The mains socket needs to be planned outside of the built-in niche.

Characteristics
Type of micro-wave oven
 MW-Combi
Type of control
 Electronic
Color / Material Front
 Anthracite
Dimensions
 455 x 590 x 582
Cavity dimensions (mm)
 236.0 x 445.0 x 348.0
Length of electrical supply cord (cm)
 150
Net weight (kg)
 37.140
Gross weight (kg)
 42.6
EAN code
 4242006249557
Maximum micro-wave power (W)
 1000
Connection rating (W)
 3100
Current (A)
 16
Voltage (V)
 220-240
Frequency (Hz)
 60; 50
Plug type
 fixed connection, no plug

Consumption and connection features
 created on 2021-01-27
 Page 1

Connection

Total connected load 3.1 KW.
 Connection cable 1.5 m without plug.

Color Variants

BM451100
Full glass door in Gaggenau Anthracite
Width 60 cm
BM451110
Stainless steel-backed full glass door
Width 60 cm

Included accessories

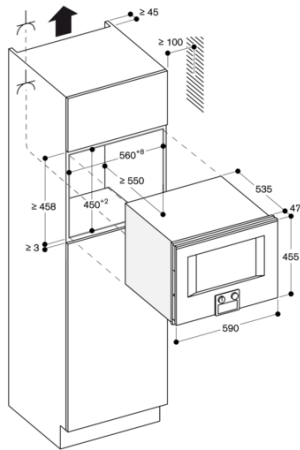
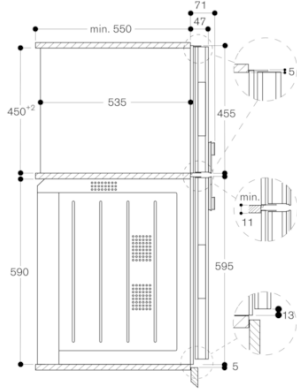
1 x combination grid.
 1 x glass tub.

Product Variants

BM450100
Combi-microwave oven 400 series
Full glass door in Gaggenau Anthracite
Width 60 cm
Right-hinged
Controls at the top
BM454100
Combi-microwave oven 400 series
Full glass door in Gaggenau Anthracite
Width 60 cm
Right-hinged
Controls at the bottom
BM455100
Combi-microwave oven 400 series
Full glass door in Gaggenau Anthracite
Width 60 cm
Left-hinged
Controls at the bottom

BM451100
 Combi-microwave oven 400 series
 Full glass door in Gaggenau Anthracite
 Width 60 cm
 Left-hinged
 Controls at the top
 created on 2021-01-27
 Page 2

Side view of BS 454/455, BM 454/455 above BO



⚡ Socket
 measurements in mm

Side view of BM 454/455 above BO

