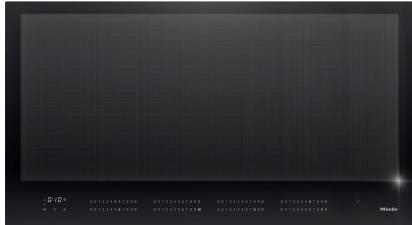


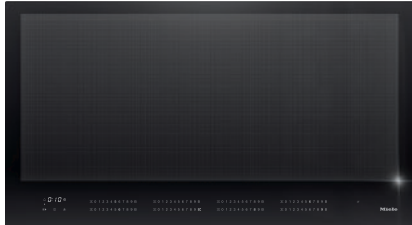
## KM 7897-2 FL Diamond Induction hob with onset controls



EAN: 4002516675136 / Material number: 12273810 / Old Material Number: 26789774GB

<b>Heating type</b>	
Heating type	Induction
<b>Construction type</b>	
Independent of cooker	•
<b>Design</b>	
Elegant glass ceramic surface	•
Flush	•
Ceramic surface colour	Graphite black
Surface-mounted installation	•
<b>Cooking zone details</b>	
Number of cooking areas	1
Maximum number of pans	6
<b>1st cooking zone/cooking area</b>	
Position	Can be selected freely
Type	Full area
Size in mm	870 x 380
Max. Booster power rating in W	3300
Max. rating in W	2600
Max. TwinBooster power rating in W	3650
<b>User convenience</b>	
Miele@home	•
Operation via sensor controls	Smart Select White
Automatic function Con@ctivity	•
Pan and pan size recognition	•
Display colour	White
Auto heat-up	•
Keeping warm	•
Stop & Go function	•
Recall function	•
Minute minder	•
Safety switch-off	•
Intelligent pan recognition	•
Positioning aid	•
Individual setting options (e.g. buzzers)	•
<b>Efficiency and sustainability</b>	
Power rating in off mode in W	0.5
Power rating in standby mode in W	1.0
Power rating in networked standby in W	2.0
Time until automatic switch to off mode in min	20
Time until automatic switch to standby in min	20
Time until automatic switch to networked standby in min	20
<b>Cleaning convenience</b>	
Easy to clean ceramic glass	•
Wipe protection	•
<b>Safety</b>	
Safety switch-off	•
Lock function	•
System lock	•
Integrated cooling fan	•
Overheating protection	•

KM 7897-2 FL Diamond  
Induction hob with onset controls



EAN: 4002516675136 / Material number: 12273810 / Old Material Number: 26789774GB

Residual heat indicator

•

### Technical data

Internal cutout dimensions in mm (width) with flush installation 916

Internal cutout dimensions in mm (depth) with flush installation 500

External cutout dimensions in mm (width) with flush installation 940

External cutout dimensions in mm (depth) with flush installation 524

Total rated load in kW 9.20

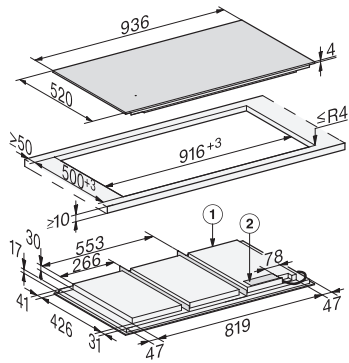
Voltage in V 230

Frequency in Hz 50-60

### Accessories supplied

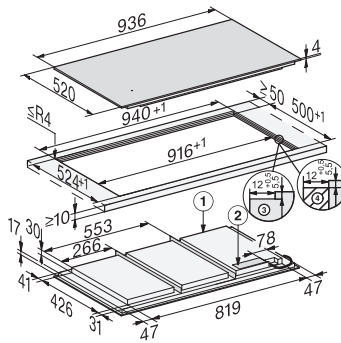
Number of mains cables with plug Yes

## KM 7897-2 FL Diamond Induction hob with onset controls



KM7697FL, KM7897FL, KM7897-1FLDiamond, KM7897-2FL Diamond (installation drawings) – onset

1) Front, 2) Mains connection box with mains connection cable, L = 1440 mm, are enclosed loosely,



KM7697FL, KM7897FL, KM7897-1FLDiamond, KM7897-2FL Diamond (installation drawings) – flush-fit

1) Front, 2) Mains connection box with mains connection cable, L = 1440 mm, are enclosed loosely, 3) Stepped cut-out natural stone worktop, 4) Wood support 12 mm (not supplied)