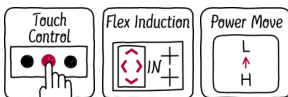
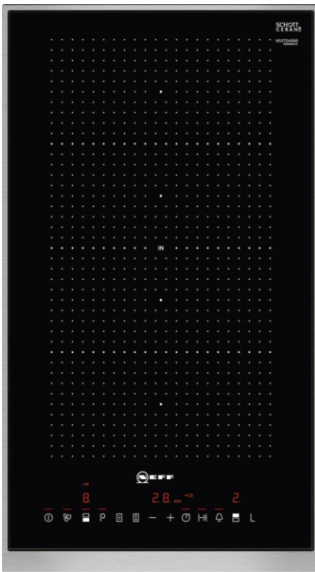


N 70, Flex induction cooktop, 30 cm, Black
N53TD40N0



COOKING PASSION SINCE 1877



FlexInduction hob with TouchControl.

- ✓ Touch Control – Control your hob with a simple touch.
- ✓ Flex Induction – Your hob detects and heats your individual cookware.
- ✓ Power Move – Just slide your cookware to adjust the temperature.
- ✓ Power Boost – An extra surge of heat when you need fast results.
- ✓ Induction – the heat is generated directly in the cookware for precise cooking that stops when power is off.

Features

Technical Data

Product name/family : Vario/Domino cooking zone cera
 Construction type : Built-in
 Energy input : Electric
 Total number of positions that can be used at the same time : 2
 Required niche size for installation (HxWxD) : 51 x 270 x 490-500 mm
 Width of the appliance : 306 mm
 Dimensions : 51 x 306 x 546 mm
 Dimensions of the packed product (HxWxD) : 126 x 370 x 573 mm
 Net weight : 7.838 kg
 Gross weight : 8.4 kg
 Basic surface material : Ceramic
 Color of surface : Black, Stainless steel
 Color of frame : Stainless steel
 Approval certificates : AENOR, CE
 Length of electrical supply cord : 110 cm
 EAN code : 4242004189312
 Electrical connection rating : 3700 W
 Voltage : 220-240 V
 Frequency : 50; 60 Hz

Optional accessories

Z9410X1	Stainless Steel roaster with glas lid
Z9415X1	Steaming Rack for Stainless Steel roaste
Z9416X2	Griddle Plate
Z9417X2	Teppan Yaki (large)
Z943SE0	Set of 2 pots and 1 pan
Z9914X0	Connecting strip



4 242004 189312

Features

- 30 cm: space for 2 pots or pans.

Flexibility of cooking zones

- Flex Induction: use cookware of any shape or size anywhere within the 40cm long zone.
- Cooking zone middle: 210 mm, 200 mm, 2.2 KW (max. power 3.7 KW)
- Cooking zone middle: 210 mm, 200 mm, 2.2 KW (max. power 3.7 KW)

Usage convenience

- TouchControl: directly control the power with imprinted touch bar.
- Variable 17-stage power settings for each zone: precisely adapt the heat with 17 power levels (9 main levels and 8 intermediate levels).
- Keep warm function: keep dishes warm at preset low power level.
- Timer with automatic shut off for all zones
: switches off the cooking zone at the end of the time set (e.g. for boiled eggs).
- LED timer for each zone with switch off function and acoustic signal
: an alarm sounds at the end of the time set (e.g. for pasta).
- Count up timer
: shows how much time has passed since starting the timer (e.g. for potatoes).

Time saving & efficiency

- Power Boost function for all zones
: boil water faster thanks to 50% more energy than at the highest standard level.
- PowerMove with 3 levels: increase or decrease the power level simply by moving the pot forwards or backwards.
- QuickStart function: when switching on, the hob automatically selects the cooking zone with cookware (when placed on a zone whilst the hob is off).
- ReStart function: in case of unintentional switch-off, this feature restores all previous settings by switching on the hob again within 4 seconds.

Design

- Ceramic glass on stainless steel trim

Safety

- 2 stage residual heat indicators: indicates which cooking zones are still hot or warm.
- Control panel lock: prevent unintended activation of the hob.
- Control panel suspension: wipe overboiled liquids without unintentionally changing settings (blocking all touch buttons for 30 seconds).
- Main switch: switch off all cooking zones at the touch of a button.
- Safety cut out facility: for safety reasons, heating stops after a preset time if not used (possible to customise).
- Energy consumption display: shows the electricity consumption of the last cooking process.

Installation

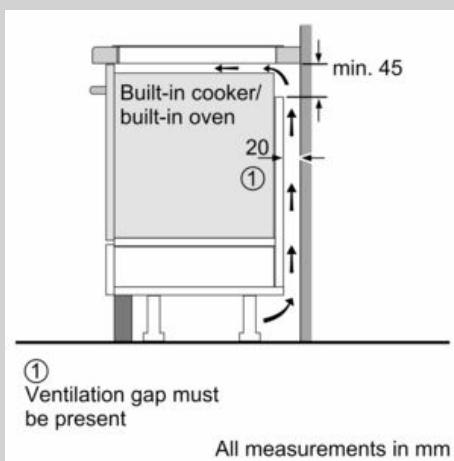
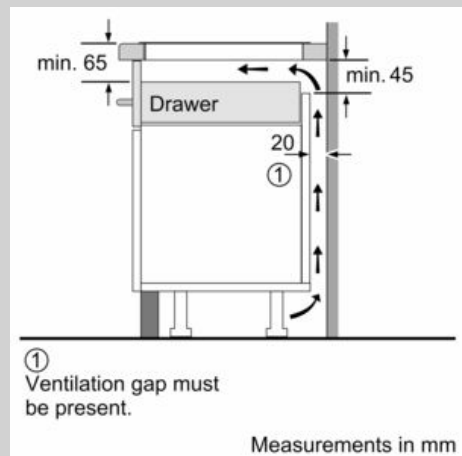
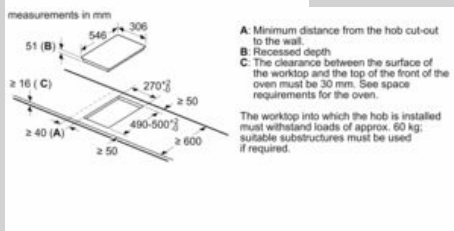
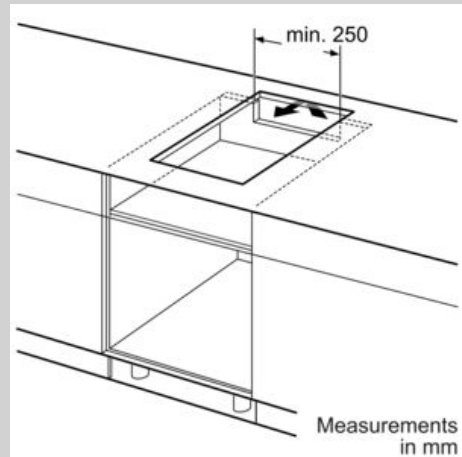
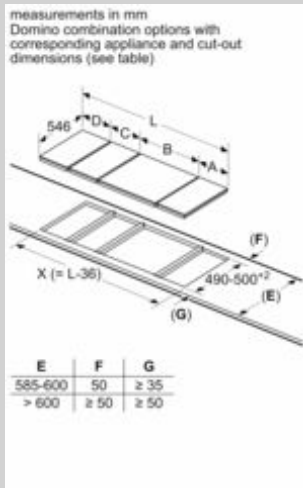
- Dimensions of the product (HxWxD mm): 51 x 306 x 546
- Required niche size for installation (HxWxD mm) : 51 x 270 x (490 - 500)
- Min. worktop thickness: 16 mm
- Connected load: 3.7 KW
- 4.6kW power output (20A); current management options for 16A, 13A or 10A connection: limit the maximum power if needed (depends on fuse protection of electric installation).
- Power cord: 1.1 m, connected directly

N 70, Flex induction cooktop, 30 cm, Black
N53TD40N0



COOKING PASSION SINCE 1877

Dimensioned drawings



measurements in mm
Domino combination options with corresponding appliance and cut-out dimensions

Width category:
Appliance width:

	A	B	C	D	L	X		
2x30	306	306	-	-	-	-	612	576
1x30, 1x40	306	396	-	-	-	-	702	666
1x30, 1x60	306	606	-	-	-	-	912	876
1x30, 1x70*	306	708	-	-	-	-	1014	980
1x30, 1x80	306	826	-	-	-	-	1132	1086
1x30, 1x90	306	918	-	-	-	-	1224	1186
2x40	396	396	-	-	-	-	792	756
1x40, 1x60	396	606	-	-	-	-	1002	966
1x40, 1x70*	396	708	-	-	-	-	1104	1070
1x40, 1x80	396	826	-	-	-	-	1222	1176
1x40, 1x90	396	918	-	-	-	-	1314	1276
3x30	306	306	306	-	-	-	918	882
2x30, 1x40	306	306	396	-	-	-	1008	972
2x30, 1x60	306	306	606	-	-	-	1218	1182
2x30, 1x70*	306	306	708	-	-	-	1320	1286
2x30, 1x80	306	306	826	-	-	-	1438	1392
2x30, 1x90	306	306	918	-	-	-	1530	1492
1x30, 2x40	306	396	396	-	-	-	1098	1062
1x30, 1x40, 1x80	306	396	606	-	-	-	1308	1272
1x30, 1x40, 1x70*	306	396	708	-	-	-	1410	1376
1x30, 1x40, 1x80	306	396	826	-	-	-	1528	1482
1x30, 1x40, 1x90	306	396	918	-	-	-	1620	1582
2x40, 1x60	396	396	606	-	-	-	1386	1362
4x30	306	306	306	306	-	-	1224	1188
3x30, 1x40	306	306	306	396	-	-	1314	1278
1x30, 1x75	306	750	-	-	-	-	1056	1020
1x40, 1x75	396	750	-	-	-	-	1146	1110
2x30, 1x75	306	306	750	-	-	-	1362	1326
1x30, 1x40, 1x75	306	396	750	-	-	-	1452	1416

* Not possible with 70 cm induction hob