

## Product information sheet DIVON II 8 S-IF

Item no. 521665

### Benefits

---



- Beautifully shaped sink with an irresistible overall appearance
- Perfectly matched geometries and areas
- Straight lined bowls with an elegant 10 mm corner radius
- Large bowl capacity and fully utilisable base
- Product line meets the requirements for almost any planning situation
- High-quality features with the covered C-overflow and elegantly integrated InFino strainer

## Planning information

---

- Cut out size: Template provided  
Please state hand of bowl

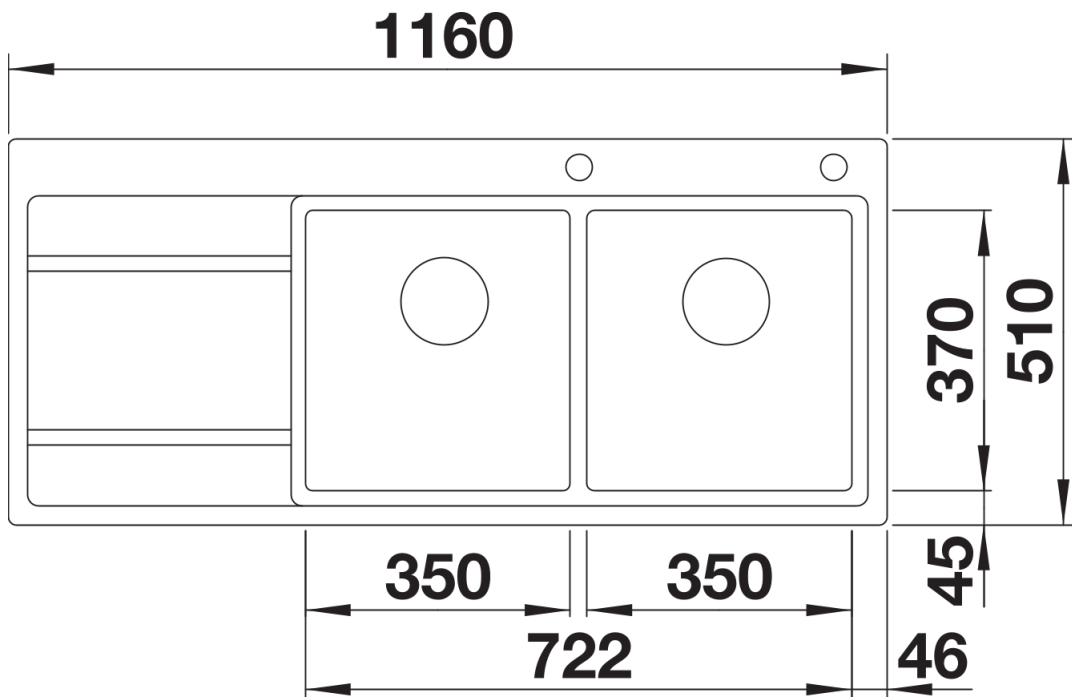
## Scope of supply

---

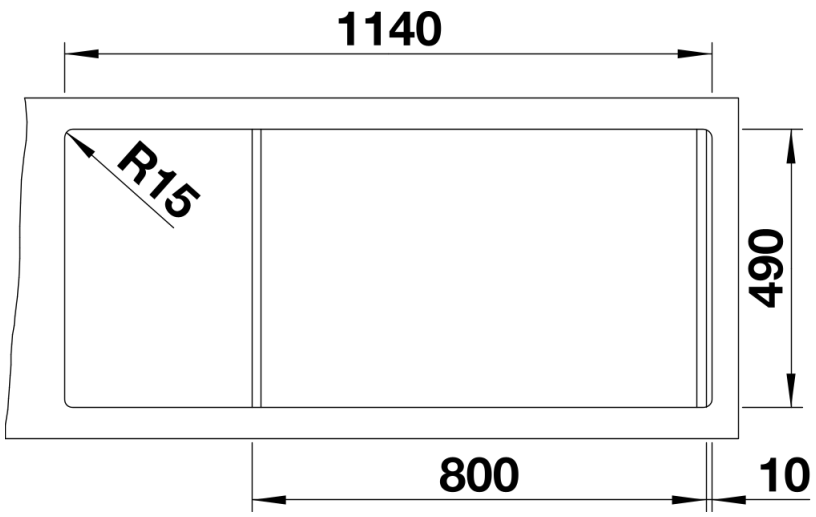
- Waste fitting with space-saving pipe
- 3 ½" pop-up waste for the main bowl
- two InFino 3 ½" basket strainer

## Details

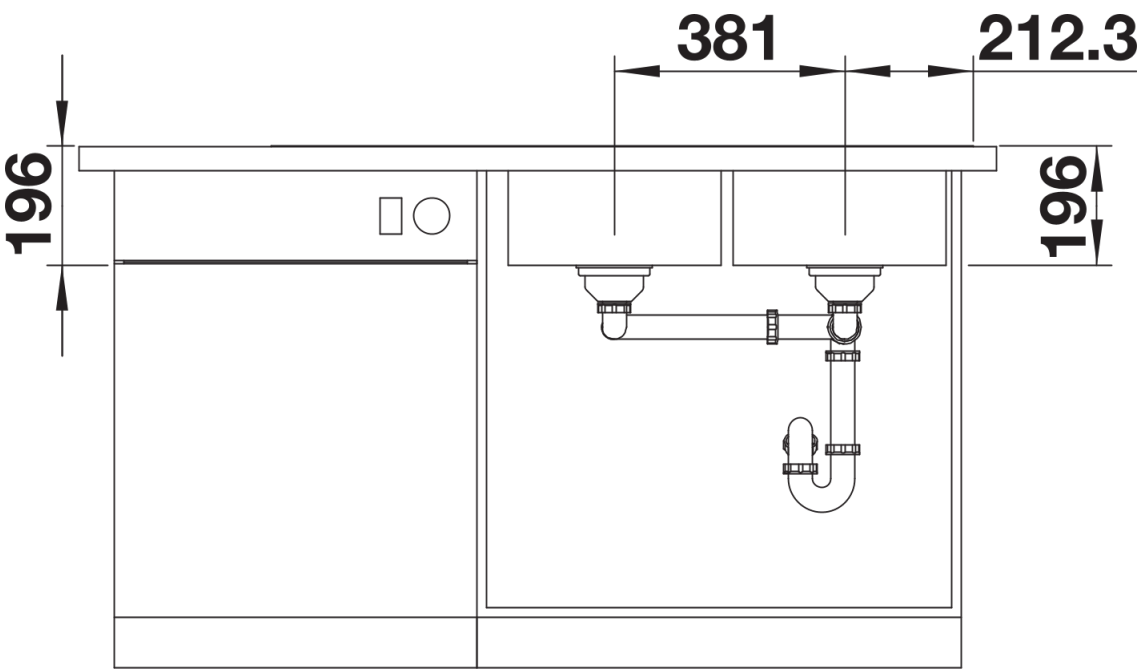
---



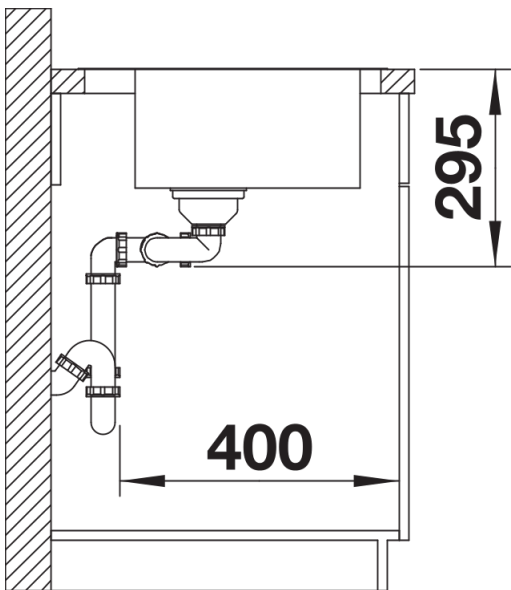
Top view



Cut-out



Front view



Side view