

N 50, Ceiling cooker hood, 90 cm, Stainless steel
194CAQ6NOB



COOKING PASSION SINCE 1877



B



Reduced height motor housing of 18.9cm to aid in challenging flush ceiling installations

- ✓ Flush fit – Flat ceiling hood with compact motor housing for flush in-ceiling installation
- ✓ Cooktop-based Hood Control – Adjust your hood's extraction level and lighting.
- ✓ Dimmer Function – dim the LED light conveniently with the button on the remote control
- ✓ Remote Control – comfortably control the ceiling hood with a remote
- ✓ Efficient Drive Motor – Quiet and energy-efficient hood motor for a calmer kitchen.

Features

Technical Data

Typology : Island/Ceiling
Approval certificates : CE, VDE
Length of electrical supply cord : 130 cm
Required niche size for installation (HxWxD) : 189mm x 886.0mm x 485mm mm
Minimum distance above an electric hob : 650 mm
Minimum distance above a gas hob : 650 mm
Net weight : 24.354 kg
Type of control : Electronic
Number of speed settings : 3-stage + 2 intensive
Maximum output air extraction : 434 m³/h
Boost position output recirculating : 574.0 m³/h
Maximum output recirculating air : 336 m³/h
Boost position air extraction : 734 m³/h
Number of lights (Stck) : 4
Noise level : 61 dB
Diameter of air outlet : 150 mm
Grease filter material : Washable stainless steel
EAN code : 4242004245155
Connection rating : 204 W
Voltage : 220-240 V
Frequency : 60; 50 Hz
Plug type : GB plug
Installation type : Island

Optional accessories

Z52JXC1N1 Clean Air Standard recirc. kit ext. inox
Z52JXC1W1 Clean Air Stand. recirc. kit ext. white



4 242004 245155

Features

Key performance features:

- Energy Efficiency Class: B (at a range of energy efficiency classes from A+++ to D)
- Extraction rate according to EN 61591 ø 15 cm:
max. Normal use 434 m³/h
Intensive 734 m³/h
- Noise max. Normal Level: Noise, max. speed in normal us: 61 dB dB*

Special features

- Hob-Hood control (with Wi-Fi enabled hob)
- Voice Control enabled via popular voice assistants (only in countries where this service is available)
- Remote Monitoring and Control for connected home appliances and operation via smartphone or tablet (only in countries where Home Connect service is available)
- The Home Connect functionality can be extended by integrating numerous applications from external cooperation partners (partnerships)
- Adjustable color temperature (2.700 K - 5.000 K) for adaption to the room lighting available via Home Connect
- Interval function: available via Home Connect
- Silence function: available via Home Connect

Features

- 3 power levels and 2 intensive settings
- Automatic intensive revert (6mins)
- 4 x 3W LED lights
- softLight with dimmer function
- Automatic after running (Automatic after running (10 minutes))
- Infrared remote control
- Efficient BLDC technology
- Twin channel high performance fan motor
- Interval operation
- 2 metal grease filter cassettes
- Saturation indicator for metal and charcoal filter
- easy to clean Inner frame

Design

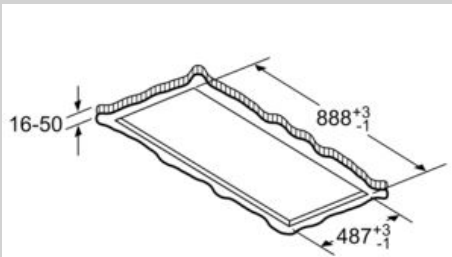
- Electronic controls
- LED display
- Rim ventilation
- Stainless steel filter cover, metal grease filter
- Installation: Ceiling

Performance/technical information

- Suitable for ducted extraction and recirculation
- For recirculated extraction CleanAir recirculating kit (accessory) needed
- Extraction rate according to EN 61591 max. 734 m³/h
- Noise level according to EN 60704-3 and EN 60704-2-13 at maximum normal setting: extraction rate: 61 dB (A) re 1pW
- Noise level according to EN 60704-3 and EN 60704-2-13 at max. normal use exhaust air: 61 dB(A) re 1 pW
- Noise level according to EN 60704-3 and EN 60704-2-13 exhaust air:
Max. normal use: 61 dB(A) re 1 pW
Intensive: 72 dB(A) re 1 pW
- With the Clean Air Standard recirculation kit (available as optional accessory) your appliances reaches:
Extraction rate in recirculation mode:
Max. normal use: 336 m³/h
Intensive: 574 m³/h
Noise level in recirculation mode with Clean Air Standard odor filter :
Max. normal use: 61 dB(A) re 1 pW
Intensive: 74 dB(A) re 1 pW
- Power rating: 204 W
- Light Intensity: 659 lux
- Colour Temperature: 3500 K
- Electrical cable length 1.3 m
- Diameter pipe Ø 150 mm (Ø 150 mm enclosed)
- Dimensions exhaust air (HxWxD): 189-189 x 900 x 500 mm
- Blower Efficiency Class: A*
- Lighting Efficiency Class: A*
- Grease Filtering Efficiency Class: E*
- Average Energy Consumption: 35.1 kWh/year*

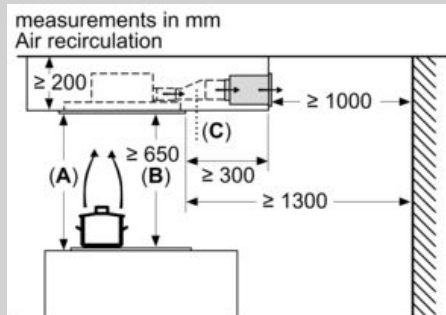
* In accordance with the EU-Regulation No 65/2014

Dimensioned drawings

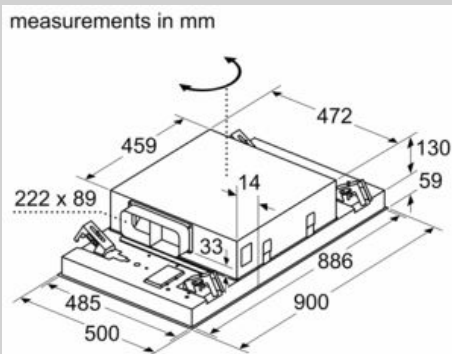


Never fit directly onto plasterboard or similar lightweight construction materials of the suspended ceiling. A suitable substructure is required that is securely fixed to the concrete ceiling.

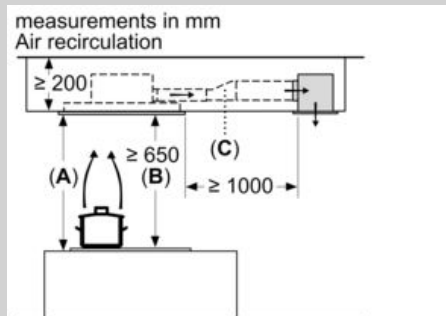
measurements in mm



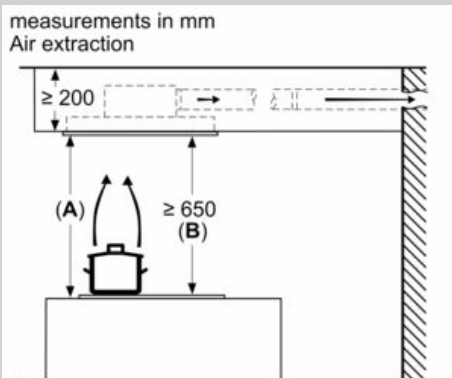
A: Optimum performance 700-1500
B: From upper edge of pan support
C: Connector (from a flat duct to a circular duct).
Not included in the scope of delivery.



The fan outlet can be turned in all four directions



A: Optimum performance 700-1500
B: From upper edge of pan support
C: Connector (from a flat duct to a circular duct).
Not included in the scope of delivery.



A: Optimum performance 700-1500
B: From upper edge of pan support