

## Product information sheet SOLIS 340/180-U

Item no. 526128

### Benefits

---



- A harmonious interplay between functional and visual elements
- High-quality features with covered C-overflow and InFino strainer system
- Convenient bowl volume and base surface designed for optimum use
- Functional accessories optionally available
- Available as left or right hand installation

## Planning information

---

- Cut out information supplied with bowls.<br>Cut out CNC files also available on [www.blanco.co.uk](http://www.blanco.co.uk) for download<br>Please state hand of bowl

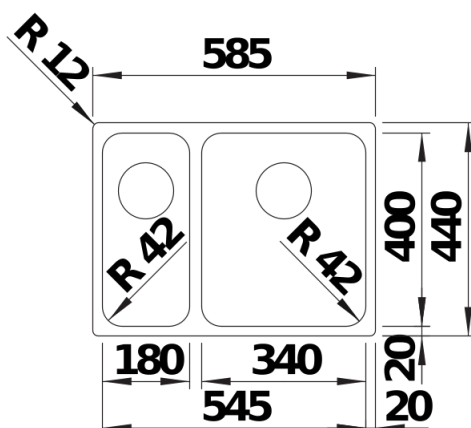
## Scope of supply

---

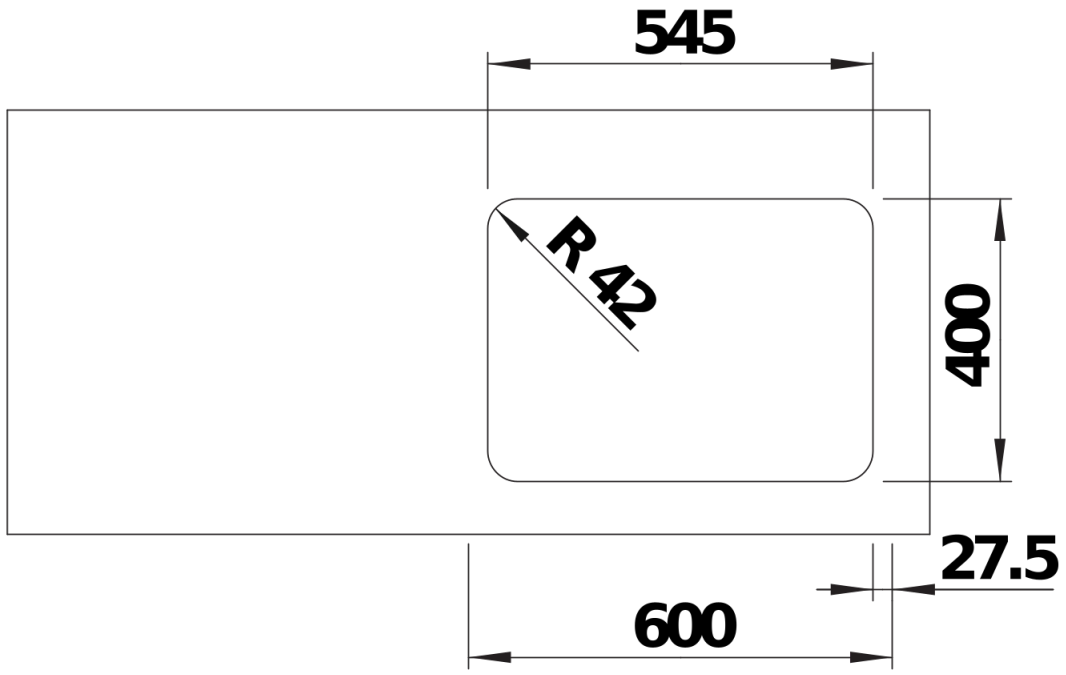
- waste kit with space-saving pipe
- 2 x 3 ½" InFino basket strainer
- fixing kit

## Details

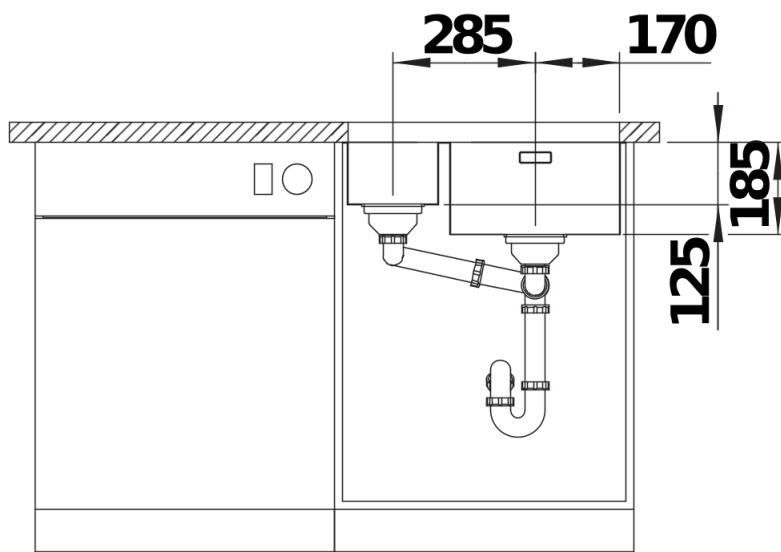
---



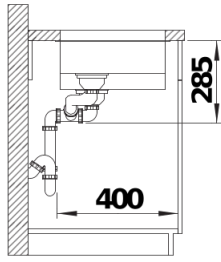
Top view



Cut-out



Front view



Side view