

## Product information sheet AXIA III 6 S

Item no. 523473

### Benefits

---



- Flowing ergonomic work space along a single axis thanks to arrangement of bowls and multifunctional accessories
- Design that is notable for clear lines and the ultra-narrow, flat rim
- Tight radii for maximum utilisation of the surface and volume
- Movable glass cutting board for working directly into cooking dishes
- Multifunctional colander can also be freely positioned in the main bowl for easy food preparation
- High-quality features with the covered C-overflow and integrated InFino basket strainer
- Available in left or right handed versions

### Colours

---



SILGRANIT rock grey

#### Available colours:

rock grey  
alumetallic  
anthracite  
white  
jasmine  
pearl grey  
coffee  
tartufo  
black

## Planning information

---

- Cut out: 980 x 490 x R15<strong></strong>Bowl depths: 190/130mm<strong></strong>Please specify hand of bowl

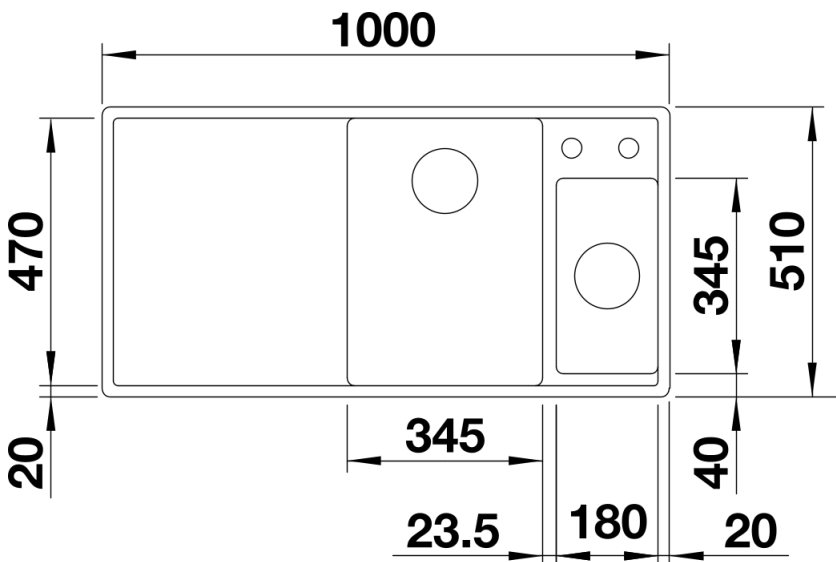
## Scope of supply

---

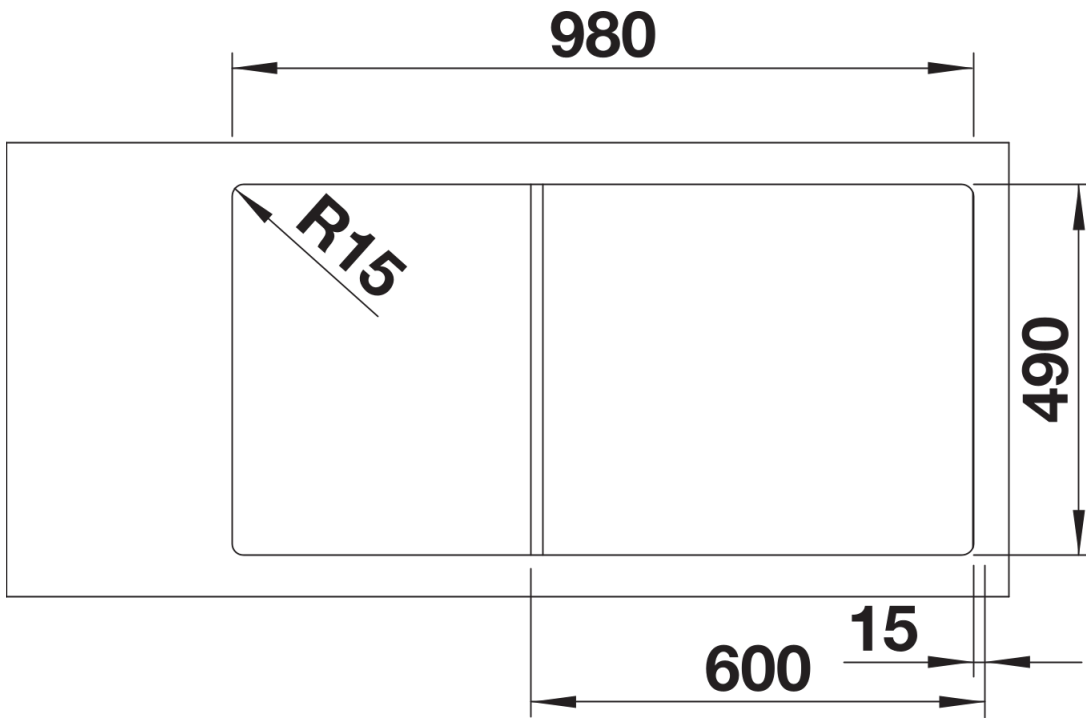
- glass cutting board
- multifunctional stainless steel colander
- waste kit with space-saving pipe
- 2 x 3 ½" InFino basket strainer with remote control for the main bowl

## Details

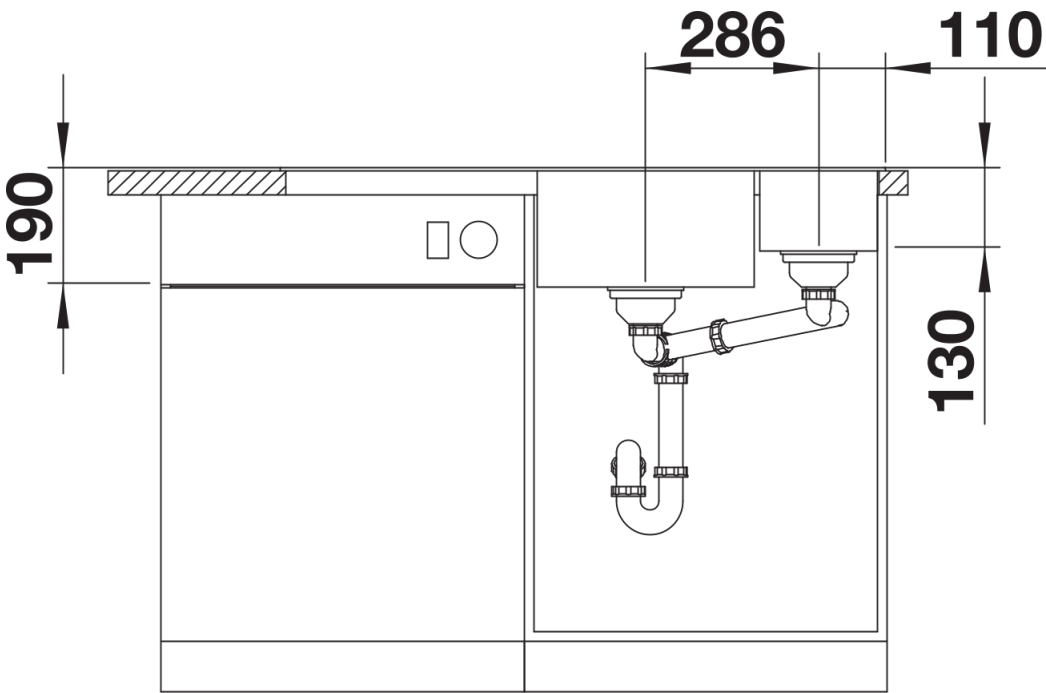
---



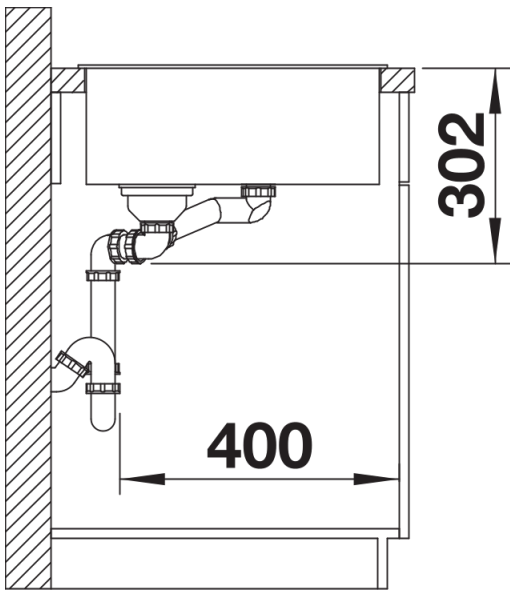
Top view



Cut-out



Front view



Side view