

## Product information sheet SUBLINE 700-U

Item no. 523442

### Benefits

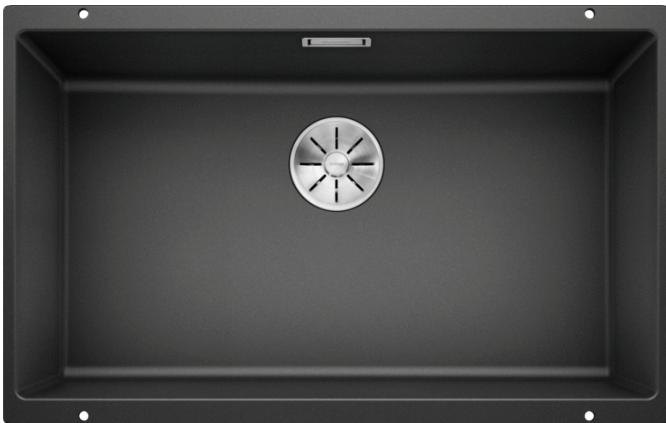
---



- Maximum bowl size provided by the very best in production and mounting technology
- Undermount bowl for solid surface worktops
- Timelessly elegant, contoured bowl design
- Entire system for a wide variety of plans featuring large and small bowls
- Elegant and hygienic: the covered C-overflow and InFino strainer system

### Colours

---



Available colours:

- anthracite
- rock grey
- pearl grey
- white
- jasmine
- tartufo
- alumetallic
- coffee
- black

SILGRANIT anthracite

## Planning information

---

- Cut out size: 700 x 400 x R10  
Cut out information supplied with bowls.  
Cut out CNC files also available on [www.blanco.co.uk](http://www.blanco.co.uk) for download.

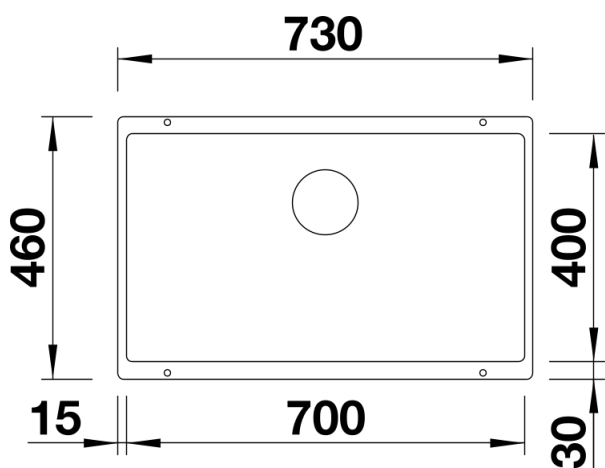
## Scope of supply

---

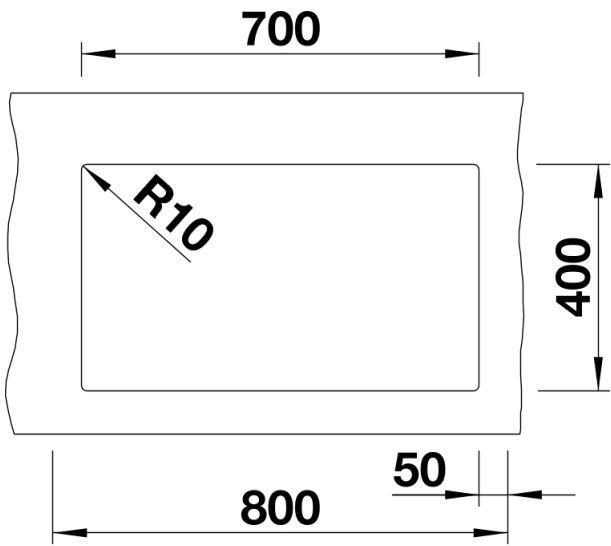
Waste fitting with space-saving pipe, 3 ½" InFino basket strainer

## Details

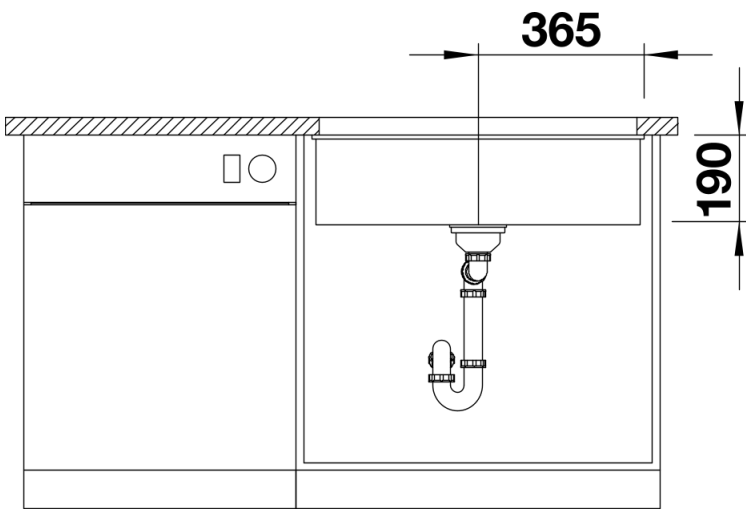
---



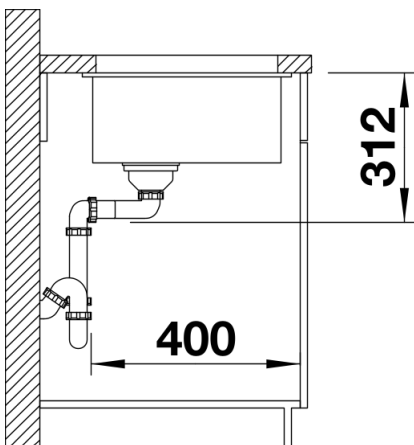
Top view



Cut-out



Front view



Side view