

## Product information sheet SUBLINE 800-U

Item no. 523142

### Benefits

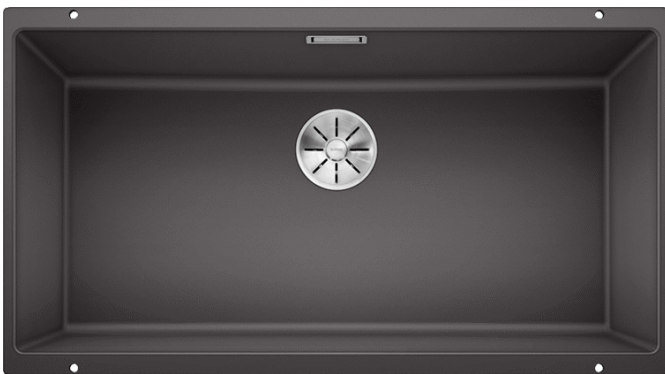
---



- Maximum bowl size provided by the very best in production and mounting technology
- Undermount bowl for solid surface worktops
- Timelessly elegant, contoured bowl design
- Entire system for a wide variety of plans featuring large and small bowls
- Elegant and hygienic: the covered C-overflow and InFino strainer system

### Colours

---



SILGRANIT rock grey

#### Available colours:

anthracite  
coffee  
rock grey  
alumetallic  
pearl grey  
white  
jasmine  
tartufo  
black

## Planning information

---

- Cut out size: 800 x 400 x R10  
- Cut out information supplied with bowls.  
- Cut out CNC files also available on [www.blanco.co.uk](http://www.blanco.co.uk) for download.

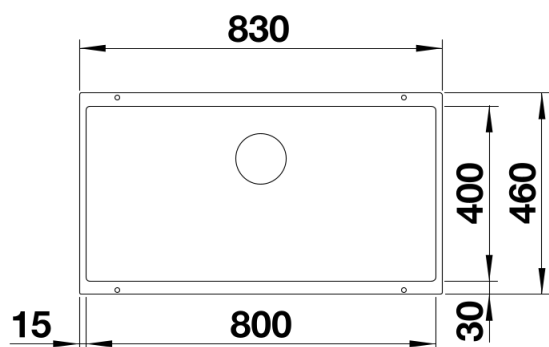
## Scope of supply

---

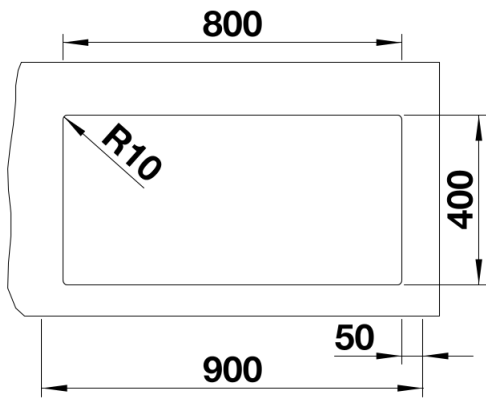
- Waste fitting with space-saving pipe
- 3 ½" InFino basket strainer

## Details

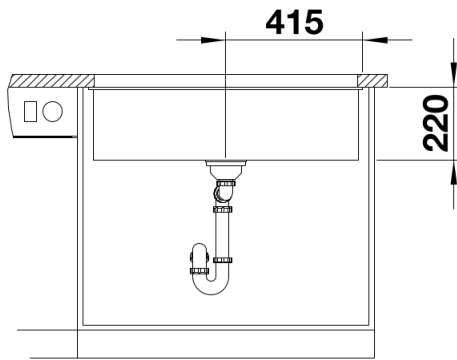
---



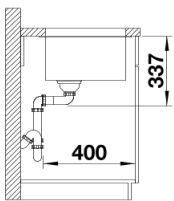
Top view



Cut-out



Front view



Side view