

N 50, Built-in warming drawer, 60 x 29 cm, Stainless steel
N1AHA02NOB



COOKING PASSION SINCE 1877



A warming drawer designed to be combined with a compatible 60cm high single oven to fit neatly into a standard double oven niche

- ✓ Push & Pull – One gentle touch opens and closes your drawer.
- ✓ Stepless temperature control - The warming drawer makes choosing easy with our stepless temperature control from 40°-80°C.

Features

Technical Data

Construction type : Built-in
Color / Material Front : Stainless steel
Maximum number of plates : 30
Maximum number of espresso cups : 128
Dimensions of the packed product (HxWxD) : 210 x 660 x 660 mm
Required niche size for installation (HxWxD) : 290 x 560 x 550 mm
EAN code : 4242004222507
Electrical connection rating : 400 W
Fuse protection : 6 A
Voltage : 220-240 V
Frequency : 60; 50 Hz
Plug type : GB plug



4 242004 222507

N 50, Built-in warming drawer, 60 x 29 cm,
Stainless steel
N1AHA02NOB

Features

Design

- Cavity inner surface: stainless steel
- Elongated designed dials
- Push-Pull opening mechanism
- Can accommodate up to:
 - 30 plates
 - 128 espresso cups

Programmes/functions

- 4 Functions: keeping drinks and food warm, pre-warming of tableware, yeast dough proving, thawing of delicate foods

Accessories

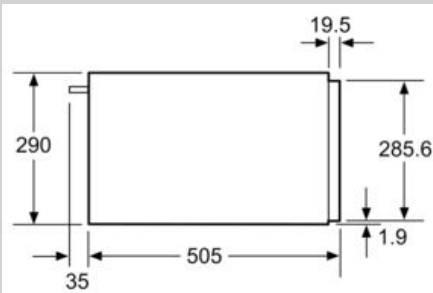
- 1 x Anti-slip mat

Technical information

- Cavity volume: 58 l
- Loading up to 15 kg
- Power cord length 150 cm Cable length
- Total connected load electric: 0.4 KW
- Nominal voltage: 220 - 240 V
- Appliance dimension (hxwx): 290 mm x 594 mm x 540 mm
- Niche dimension (hxwx): 290 mm x 560 mm - 568 mm x 550 mm
- Please refer to the dimensions provided in the installation manual

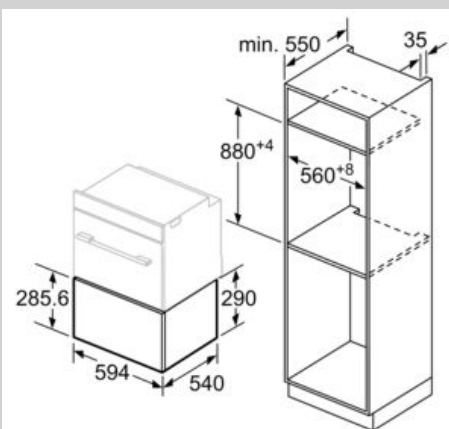
N 50, Built-in warming drawer, 60 x 29 cm,
 Stainless steel
 N1AHA02NOB

Dimensioned drawings



Ovens with an appliance height of 595 mm can be installed above a warming drawer. An intermediate floor is not required.

measurements in mm



measurements in mm