

N 90, Built-in freezer, 177.2 x 55.8 cm, soft close flat hinge
G17815CE0G



COOKING PASSION SINCE 1877



This NoFrost built-in freezer needs no defrosting and features a malfunction warning signal in case of increasing temperature.

- ✓ No Frost – No more defrosting your freezer.
- ✓ Individualize your drawers with various loading options to create the optimal fit for frozen goodies
- ✓ Home Connect – Add your smart fridge to your home network and stay connected to your kitchen.
- ✓ Softclose: When it reaches an angle of 20° the door softly closes itself.

Features

Technical Data

Energy Efficiency Class : E
Average annual energy consumption in kilowatt hour per year (kWh/a) : 235 kWh/annum
Sum of volume of frozen compartments : 212 l
Airborne acoustical noise emissions : 35 dB(A) re 1 pW
Airborne acoustical noise emission class : B
Thermometer freeze section : Digital
Light : No
Product category : Upright freezer
Construction type : Built-in
Door panel options : Not possible
Frost free system : Fridge and freezer
Height of the product : 1772 mm
Width of the appliance : 558 mm
Depth of the product : 545 mm
Dimensions of the packed product (HxWxD) : 1840 x 640 x 610 mm
Net weight : 66.713 kg
Gross weight : 71.9 kg
Connection rating : 120 W
Fuse protection : 13 A
Frequency : 50 Hz
Approval certificates : CE, VDE
Length of electrical supply cord : 230 cm
Door hinge : Left reversible
Storage Period in Event of Power Failure (h) : 9 h
Warning signal / malfunction : visual and audible
Lockable door : No
Number of drawers/baskets (Stck) : 5
Number of freezing flaps (Stck) : 2
EAN code : 4242004250227
Brand : Neff
Product name / Commercial code : G17815CE0G
Product category : Upright freezer



4 242004 250227

N 90, Built-in freezer, 177.2 x 55.8 cm, soft close
flat hinge
G17815CE0G



COOKING PASSION SINCE 1877

Features

Functions

- Fixed hinge
- Fixed hinge

Design features

- Full frost free, never have to defrost ever again
- Home Connect: Remote Monitoring and Control
- Electronic control (7 segment display)
- 1 compressor/1 cold circuit
- SuperFreeze function with automatic deactivation
- SoftClose door - dampens door movement, for smooth and effortless closure
- Ventilation in plinth, the plinth size can be varied
- Automatic defrost freezer
- Acoustic warning system
- Freezer malfunction warning signal: optical, acoustical

Food freshness system

- 5 freezer drawers
- 2 hinged freezer compartment
- Safety glass shelves between freezer drawers

Key features - Fridge section

- Left hinged door, reversible
- Connection value 120 W
- 220 - 240 V

Dimension and installation

- Dimensions: 177.2 cm H x 55.8 cm W x 54.5 cm D
- Niche Dimensions: 177.5 cm H x 56 cm W x 55 cm D

Key features - Freezer section

- 1 ice cube tray

Design features

Dimension and installation

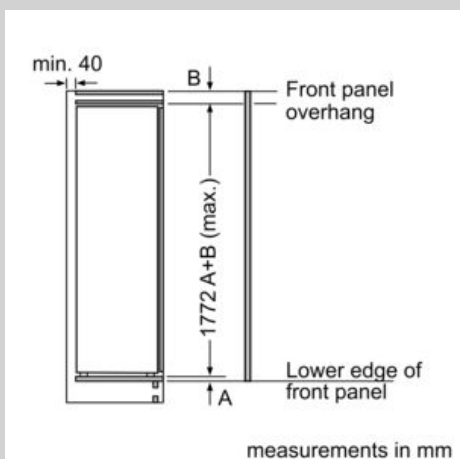
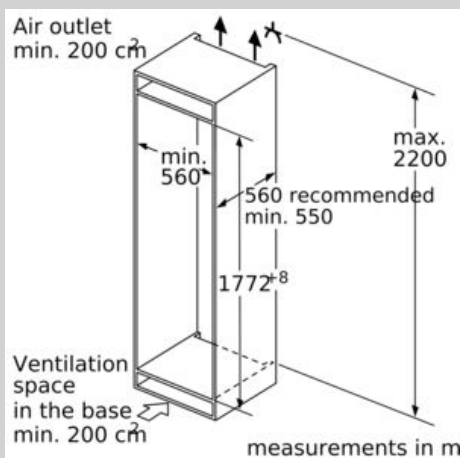
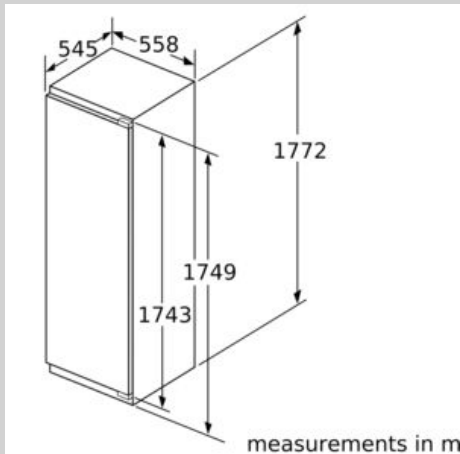
Additional features

Performance and Consumption

- Based on the results of the standard 24-hour test. Actual consumption depends on usage/position of the appliance.
- EU19_EEK_D: E
- Total Volume : 212 l
- Net Fridge Volume : 0 l
- Net Freezer Volume : 212 l
- Net 4* compartment volume : 212 l
- Freezing capacity 24h : 14 kg
- Annual Energy Consumption: 235 kWh/a
- Climate Class: SN-T
- Noise Level : 35 dB , EU19_Noise emission class_D: B
- Temperature rise time : EU19_Temperature rise time_D: 9 H

N 90, Built-in freezer, 177.2 x 55.8 cm, soft close flat hinge
G17815CE0G

Dimensioned drawings



Maximal permissible weight of the unit fronts

Fitted kitchen unit doors that exceed the permissible weight may cause damage and result in functional impairment of the hinges.

T: Includes height of appliance door	undamped hinge,	damped hinge,
Hinges in mm:	Door in kg:	Door in kg:
1500-1750	22	22

measurements in mm
Recommended gap dimensions for flat hinges

	F	R	X
16-19	0-3	2.5	
	20	0-1	3
21	2-3	2.5	
	22	0-1	3
22	2-3	2.5	
		0	4
		1	3.5
	2-3	3	

The gap dimensions recommended in the table must be adhered to in order to ensure that appliance doors do not collide with anything when they are opened, and to avoid causing damage to kitchen units.

Maximal permissible weight of the unit fronts

Fitted unit fronts that exceed the permissible weight may cause damage and result in functional impairment of the hinges.

Δ Weight
A: Appliance door height including hinges in mm
B: Undamped hinge, unit front in kg
C: Damped hinge, unit front in kg

	A	B	C
1500-1750	22	22	
720-1400	19	19	
A1	15	19	
A2	15	19	