

iQ300, Built-in fridge-freezer with freezer at bottom, 177.2 x 54.1 cm, flat hinge KI87VVF0G



Built-in refrigerator-freezer with hyperFresh to keep fruit and vegetables fresh longer and LED lights for brilliant illumination of the fridge's interior.

- ✓ hyperFresh – The extra-large drawer for your fruit and vegetables.
- ✓ LED light – Ample, even lighting helps you check what's in your fridge faster.
- ✓ Less frost formation and faster defrosting with lowFrost.
- ✓ bottleRack – Store your bottles safely and in easy reach.
- ✓ autoAirflow – Even cooling keeps food fresh for longer.

Features

Technical Data

Energy Efficiency Class: E
 Average annual energy consumption in kilowatt hour per year (kWh/a): 216 kWh/annum
 Sum of volume of frozen compartments: 70 l
 Sum of volume of chill compartments: 200 l
 Airborne acoustical noise emissions : 35 dB(A) re 1 pW
 Airborne acoustical noise emission class: B
 Construction type: Built-in
 Door panel options: Not possible
 Width of the appliance: 541 mm
 Depth of the product: 548 mm
 Required niche size for installation (HxWxD): 1775.0 x 560 x 550 mm
 Net weight: 53.079 kg
 Fuse protection: 10 A
 Door hinge: Right reversible
 Voltage: 220-240 V
 Frequency: 50 Hz
 Approval certificates: CE, VDE
 Length of electrical supply cord: 230 cm
 Storage Period in Event of Power Failure (h): 12 h
 Number of compressors: 1
 Number of independent cooling systems: 1
 Interior ventilator: No
 Reversible Door Hinge: Yes
 Number of Adjustable Shelves in fridge compartment (Stck): 4
 Shelves for Bottles: Yes
 Frost free system: No
 Installation type: Full-integrated
 Type of hinge: Flush-folding

Included accessories

- 3 x egg tray
- 1 x ice cube tray



iQ300, Built-in fridge-freezer with freezer at bottom, 177.2 x 54.1 cm, flat hinge

KI87VVFE0G

Features

- KI87VVFE0G
- easy Installation

Functions

- Bright interior LED fridge light

Design features

- Electronic control (LED chain)
- 1 compressor/1 cooling circuit
- superFreeze function with automatic deactivation
- acoustic alarm

Design features

- 5 safety glass shelves in fridge compartment of which 4 are height adjustable
- 1 removable door storage compartments.
- 4 door bins
- Bottle rack

Freshness System

- 1 hyperFresh box with integrated humidity control
-

Food freshness system

- 2 transparent freezer drawers, 1 bigBox

Dimension and installation

- Dimensions: 177.2 cm H x 54.1 cm W x 54.8 cm D
- Niche Dimensions: 177.5 cm H x 56 cm W x 55 cm D

Key features - Fridge section

- Right hinged door, door reversible
- 220 - 240 V

Key features - Freezer section

- 3 x egg tray, 2 x ice cube tray

Country Specific Options

- Based on the results of the standard 24-hour test. Actual consumption depends on usage/position of the appliance.

Design features

Dimension and installation

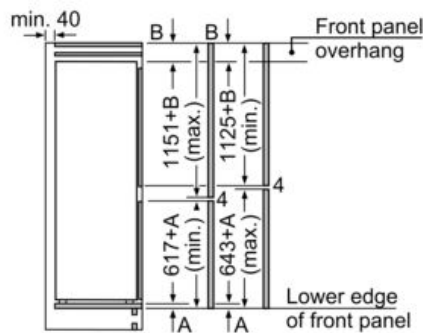
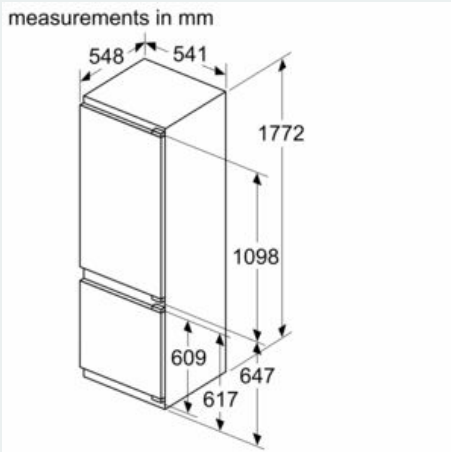
Additional features

Performance and Consumption

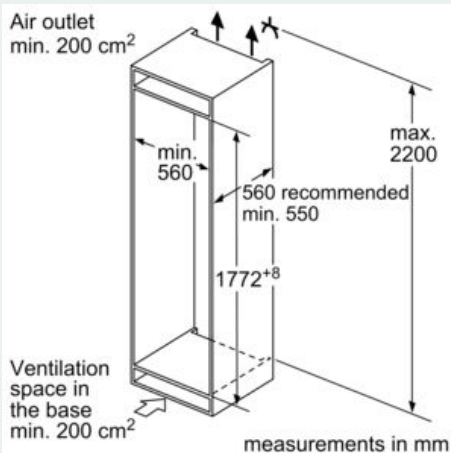
- EU19_EEK_D: E
- Total Volume : 270 l
- Net Fridge Volume : 200 l
- Net Freezer Volume : 70 l
- Net 4* compartment volume : 70 l
- Freezing capacity 24h : 3.2 kg
- Annual Energy Consumption: 216 kWh/a
- Climate Class: SN-ST
- Noise Level : 35 dB , EU19_Noise emission class_D: B
- Temperature rise time : EU19_Temperature rise time_D: 12 H

iQ300, Built-in fridge-freezer with freezer at bottom, 177.2 x 54.1 cm, flat hinge
KI87VVF0G

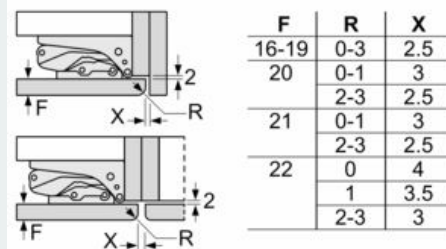
Dimensioned drawings



The specified unit door dimensions are valid for a door gap of 4 mm.
measurements in mm



measurements in mm
Recommended gap dimensions for flat hinges



The gap dimensions recommended in the table must be adhered to in order to ensure that appliance doors do not collide with anything when they are opened, and to avoid causing damage to kitchen units.

