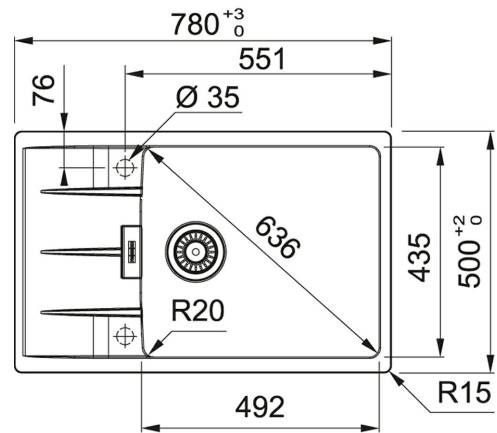


## Fragranite Coffee | 114.0629.596

FAMILY : Sinks | INSTALLATION TYPE : Inset | SERIE : Centro | INSTALLATION TYPE : Flushmount | MODEL : CNG 611-78 XL | FINISH : Fraganite Coffee



### TECHNICAL DATA

Depth of large bowl	200.00 mm
Length of large bowl	492.00 mm
Width of large bowl	435.00 mm
Length Overall	780.00 mm
Width Overall	500.00 mm
Cutout Length	746.00 mm
Cutout Width	466.00 mm
Cabinet Size	600.00 mm
Cutout radius	R: 15 mm
Type of Material	FRAGRANITE
Position of Drainer	Reversible
Price	£390.00

### FEATURES

Inset

FAMILY : Sinks | INSTALLATION TYPE : Inset | SERIE : Centro | INSTALLATION TYPE : Flushmount | MODEL : CNG 611-78 XL | FINISH : Fraganite Coffee

---

**SUGGESTED PRODUCTS**

---



---

115.0567.654

---



---

115.0567.654

---



---

134.0473.235

---



---

112.0059.946

---