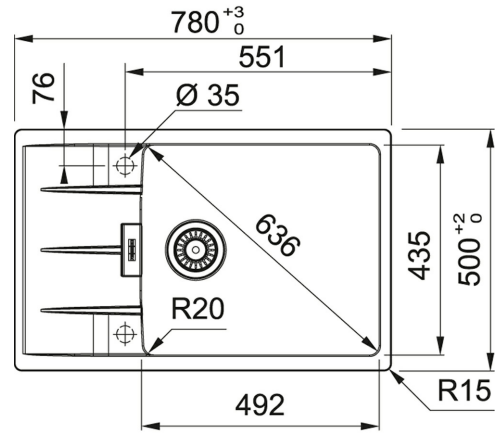


## Fragranite Matt Black | 114.0635.762

FAMILY : Sinks | INSTALLATION TYPE : Inset | SERIE : Centro | INSTALLATION TYPE : Flushmount | MODEL : CNG 611-78 XL | FINISH : Fraganite Matt Black



### TECHNICAL DATA

Depth of large bowl	200.00 mm
Length of large bowl	492.00 mm
Width of large bowl	435.00 mm
Length Overall	780.00 mm
Width Overall	500.00 mm
Cutout Length	746.00 mm
Cutout Width	466.00 mm
Cabinet Size	600.00 mm
Cutout radius	R: 15 mm
Type of Material	FRAGRANITE
Position of Drainer	Reversible
Price	£390.00

### FEATURES

▣ Inset

Fragranite Matt Black | 114.0635.762

FAMILY : Sinks | INSTALLATION TYPE : Inset | SERIE : Centro | INSTALLATION TYPE : Flushmount | MODEL : CNG 611-78  
XL | FINISH : Fraganite Matt Black

---

**SUGGESTED PRODUCTS**

---



---

115.0567.654

---



---

134.0473.235

---



---

112.0059.946

---