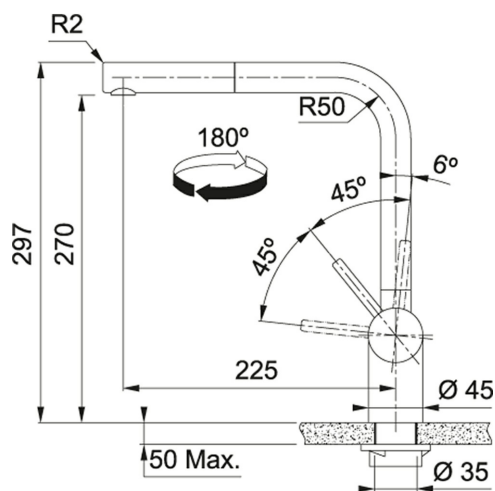


Pull Out Nozzle Stainless Steel | 115.0638.841

FAMILY : Taps | FINISH : Stainless Steel | SERIE : Atlas Neo | MODEL : Pull Out Nozzle



TECHNICAL DATA

Spout reach	225.00 mm
Tap rotation	180 °
Height to End of Spout	270.00 mm
Tap Pressure	High Pressure
Height Overall	297.00 mm
Type of Material	stainless steel
Tap Operation	Side Lever
Type of aerator	laminar
Water Mixing Cartridge	Ø 35
Version	Swivel Spout
Type	MIXER-TAP
Cabinet Size	45
Hot Flow Rate at 0.3 bar	2.35 litres/min
Suitable for low pressure system	No
Price	£353.00