

Product information sheet SUBLINE 350/350-U

Item no. 523581

Benefits



- Maximum bowl size provided by the very best in production and mounting technology
- Undermount bowl for solid surface worktops
- Timelessly elegant, contoured bowl design
- Entire system for a wide variety of plans featuring large and small bowls
- Elegant and hygienic: the covered C-overflow and InFino strainer system

Colours



SILGRANIT tartufo

Available colours:

alumetallic
pearl grey
rock grey
anthracite
white
tartufo
jasmine
coffee
black

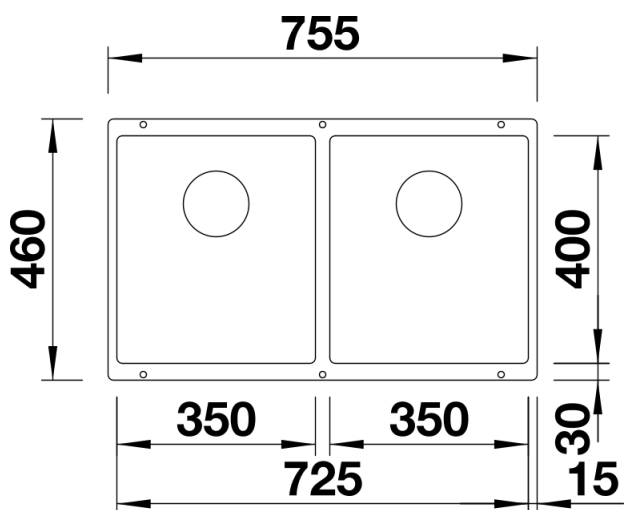
Planning information

- Cut out size: 725 x 400 x R10
- Universal handing
- Cut out information supplied with bowls.
- Cut out CNC files also available on www.blanco.co.uk for download.

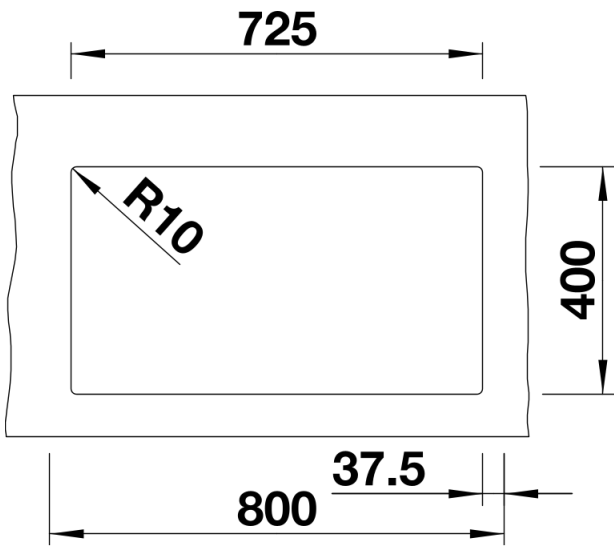
Scope of supply

- Waste fitting with space-saving pipe
- two 3 ½" InFino basket strainer

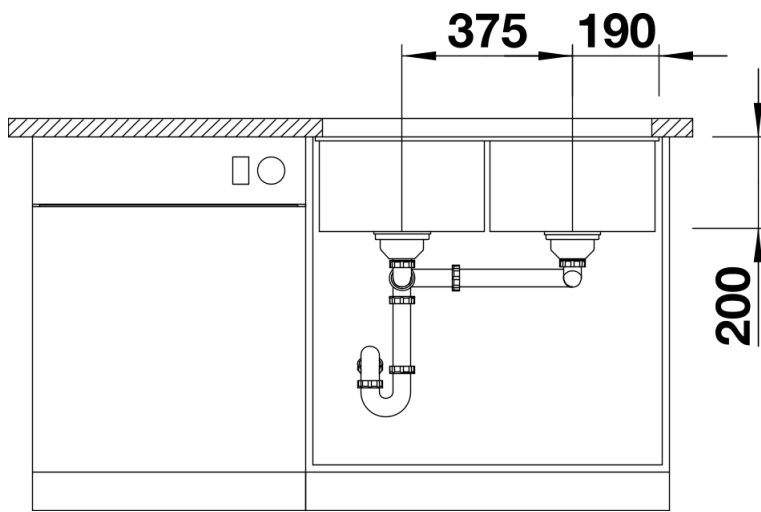
Details



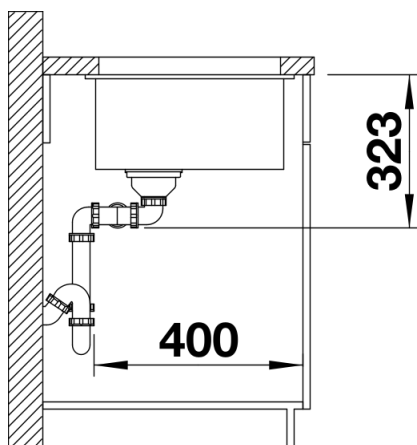
Top view



Cut-out



Front view



Side view