

Product information sheet SUBLINE 430/270-U

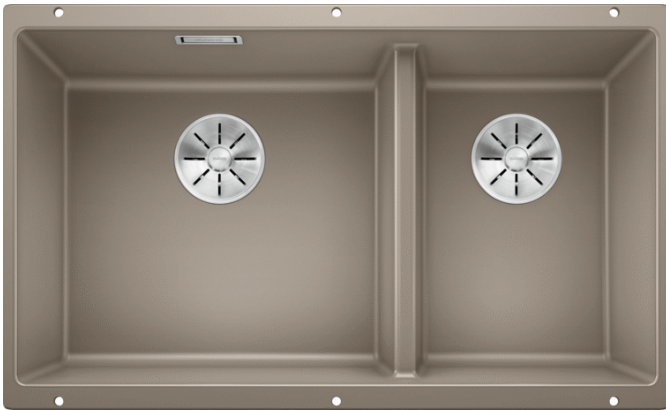
Item no. 523158

Benefits



- Maximum bowl size provided by the very best in production and mounting technology
- Undermount bowl for solid surface worktops
- Timelessly elegant, contoured bowl design
- Entire system for a wide variety of plans featuring large and small bowls
- Elegant and hygienic: the covered C-overflow and InFino strainer system

Colours



Available colours:

- anthracite
- rock grey
- coffee
- alumetallic
- pearl grey
- white
- jasmine
- tartufo
- black

SILGRANIT tartufo

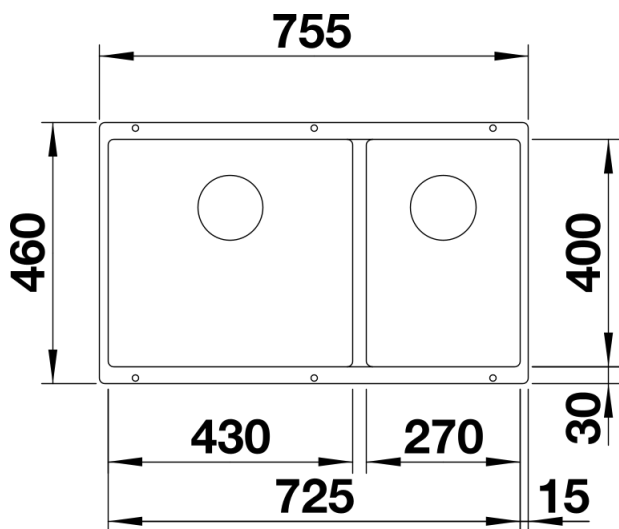
Planning information

- Cut out: 725 x 400 x R10
- Left hand bowl only

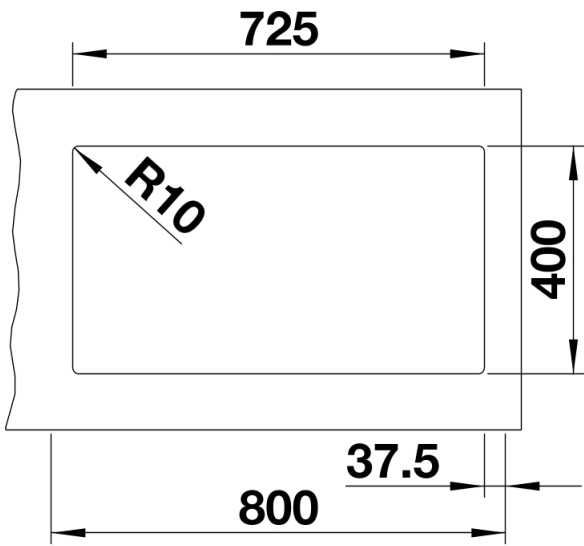
Scope of supply

- Waste fitting with space-saving pipe
- two 3 1/2" InFino basket strainers

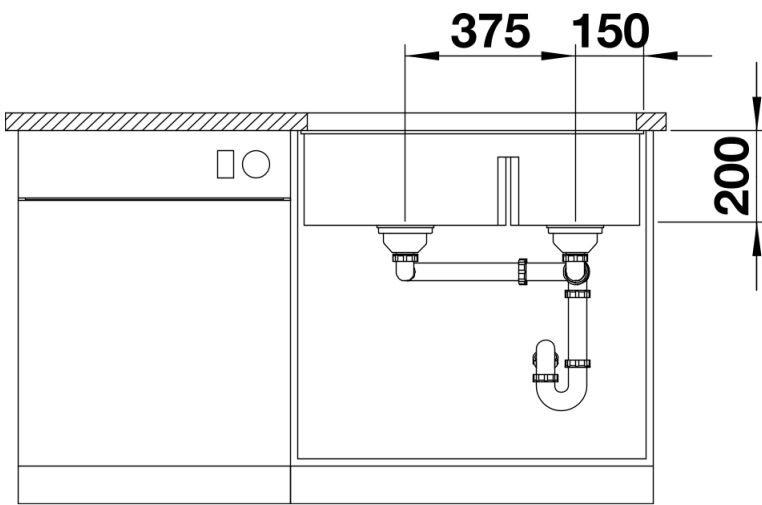
Details



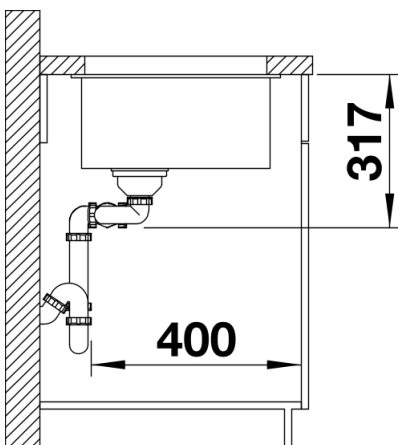
Top view



Cut-out



Front view



Side view