

## Product information sheet SUBLINE 480/320-U

Item no. 523589

### Benefits

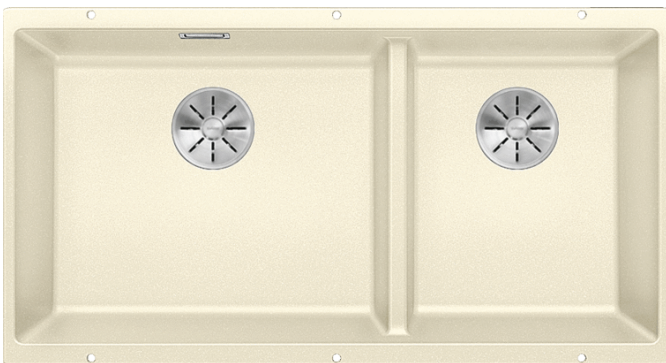
---



- Maximum bowl size provided by the very best in production and mounting technology
- Undermount bowl for solid surface worktops
- Timelessly elegant, contoured bowl design
- Entire system for a wide variety of plans featuring large and small bowls
- Elegant and hygienic: the covered C-overflow and InFino strainer system

### Colours

---



SILGRANIT jasmine

#### Available colours:

- rock grey
- anthracite
- pearl grey
- jasmine
- alumetallic
- white
- tartufo
- coffee
- black

## Planning information

---

- Cut out size: 825 x 400 x R10
- Left hand bowl only
- Cut out information supplied with bowls.
- Cut out CNC files also available on [www.blanco.co.uk](http://www.blanco.co.uk) for download.

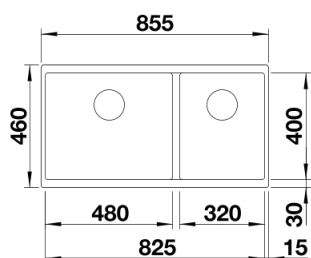
## Scope of supply

---

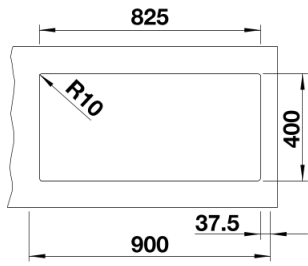
- Waste fitting with space-saving pipe
- two 3 1/2" InFino basket strainer

## Details

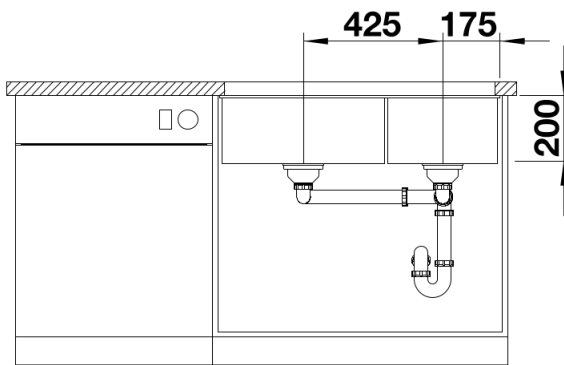
---



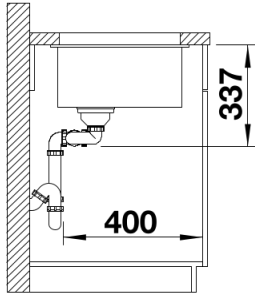
## Top view



Cut-out



Front view



Side view