

Product information sheet SUBLINE 350/150-U

Item no. 523741

Benefits



- Maximum bowl size provided by the very best in production and mounting technology
- Undermount bowl for solid surface worktops
- Timelessly elegant, contoured bowl design
- Entire system for a wide variety of plans featuring large and small bowls
- Elegant and hygienic: the covered C-overflow and InFino strainer system
- Ceramic for easy care

Colours



Available colours:

- black
- basalt
- crystal white gloss
- magnolia gloss

Ceramic PuraPlus crystal white gloss

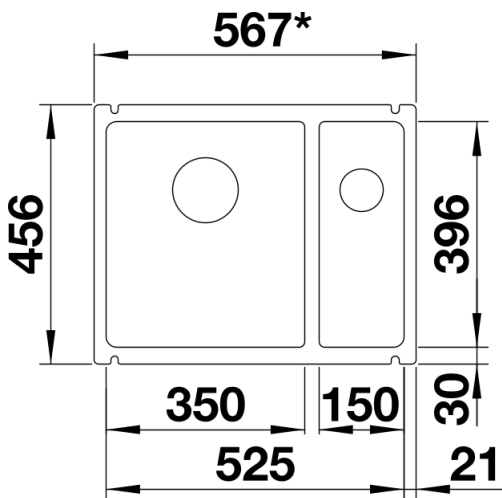
Planning information

- Cut out size: 515 x 386 x R15
- Left hand bowl only
- Please note:
- Minimum depth of worktop 25 mm
- *Cut out cabinet wall, if required.

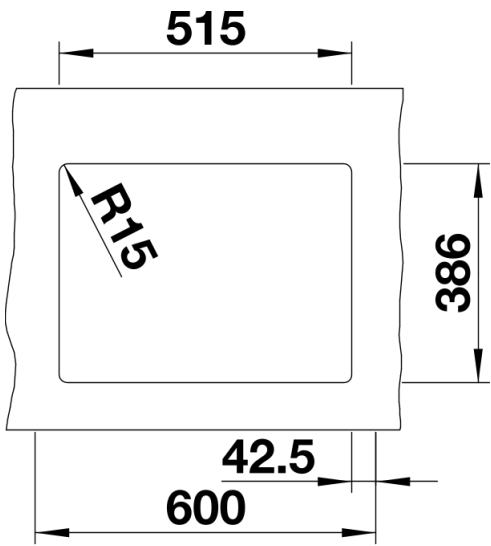
Scope of supply

- Waste fitting with space-saving pipe
- two 3 ½" InFino basket strainer
- ½ bowl non close

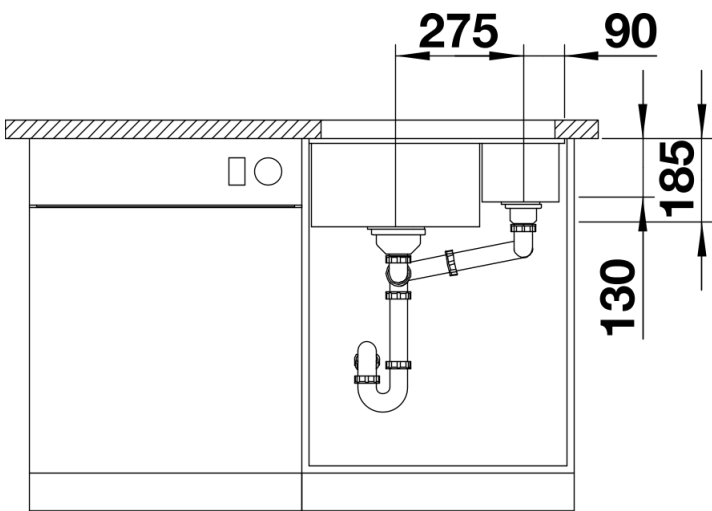
Details



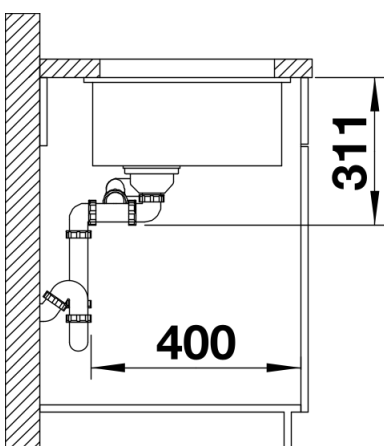
Top view



Cut-out



Front view



Side view