



**RY295350**  
**Freestanding fridge-freezer combination 200 series**  
**With fresh cooling 0 °C**  
**Freestanding**  
**Front doors and drawer in anthracite stainless steel**  
**Width 91 cm, height 183 cm**

3 climate zones incl. fresh cooling 0 °C  
 2 fresh cooling drawer 0 °C with 5 preset temperature settings between -2 °C and +4 °C  
 3 symmetrically split glass shelves, height adjustable  
 Integrated ice maker with fixed inlet water connection  
 Internal water dispenser for chilled water  
 5 preset brightness settings for the lighting  
 Total volume 573 litres

**Handling**  
 Electronic temperature control with temperature display.  
 Touch keys.

**Features**  
 Dynamic cold air distribution.  
 Automatic defrosting with defrost water evaporation.  
 Open-door and malfunction alarm.  
 Child lock.  
 Rest mode certified by Star-K.  
 Holiday mode.  
 Dark anthracite coloured top and side panels outside.  
 Activated charcoal filter for water filter system with saturation indicator shown in display.  
 Activated charcoal air filter.  
 Integrated WiFi module for digital services (Home Connect).  
 The availability of the Home Connect functionality depends on the availability of the Home Connect Services in your country. Home Connect Services are not available in every country – for further information please check: [www.home-connect.com](http://www.home-connect.com)

**Cooling**  
 Fast cooling.  
 Temperature adjustable from +2 °C to +8 °C.  
 3 split safety glass shelves, all 6 half shelves with manual height adjustment.  
 1 integrated shelf.  
 2 large door racks for bottles.  
 4 door racks, 2 of which are height adjustable.  
 1 full width drawer.  
 Internal water dispenser with fixed inlet water connection, integrated in left side wall.  
 Glare-free LED lighting (5600 K).  
 5 preset brightness settings for the lighting, also via Home Connect.  
 Interior stainless steel back wall.  
 Volume 335 litres.

**Fresh cooling 0 °C**  
 2 fresh cooling 0 °C drawers.  
 5 preset temperature settings between -2 °C and +4 °C combined with humidity setting for fish and meat, fruit, vegetables, beverages, standard.  
 Net volume 67 litres.

**Freezing**  
 No-frost technology with fast freezing.  
 Temperature adjustable from -16 °C to -24 °C.  
 4-star freezer compartment.  
 Freezing capacity 15 kg /24 h.

**Characteristics**  
**Energy Efficiency Class (Regulation (EU) 2017/1369)**  
 E  
**Average annual energy consumption in kilowatt hour per year (kWh/a) (EU) 2017/1369**  
 333  
**Sum of volume of frozen compartments (EU) 2017/1369**  
 171  
**Sum of volume of chill compartments (EU) 2017/1369**  
 402  
**Airborne acoustical noise emissions (EU) 2017/1369**  
 39  
**Airborne acoustical noise emission class (EU) 2017/1369**  
 C  
**Construction type**  
 Free-standing  
**Door panel options**  
 Not possible  
**Height (mm)**  
 905  
**Width of the appliance**  
 905  
**Depth of the product**  
 70600  
**Required niche size for installation (HxWxD)**  
**Net weight (kg)**  
 158.401  
**Connection rating (W)**  
 115  
**Current (A)**  
 10  
**Door hinge**  
 Other  
**Voltage (V)**  
 220-240  
**Frequency (Hz)**  
 50-60  
**Approval certificates**  
 CSA  
**Length of electrical supply cord (cm)**  
 240  
**Storage Period in Event of Power Failure (h)**  
**Number of compressors**  
 2  
**Number of independent cooling systems**  
 2  
**Interior ventilator**  
 Yes  
**Reversible Door Hinge**  
 No  
**Number of Adjustable Shelves in fridge compartment (Stck)**  
 6  
**Shelves for Bottles**  
 No  
**EAN code**  
 4242006297442  
**Brand**  
 Gaggenau  
**Product name / Commercial code**  
 RY295350  
**Frost free system**  
**Installation type**  
 N/A

**Consumption and connection features**

created on 2021-03-03  
 Page 1

Storage time after a malfunction 18.5 h.  
 3 fully extendable drawers.  
 Volume 171 litres.

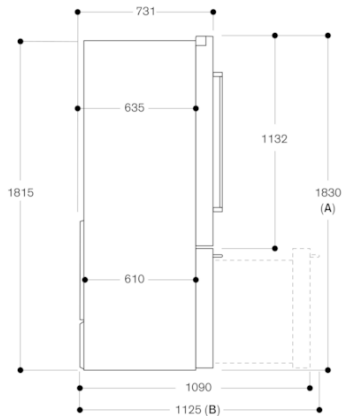
**Ice maker**  
 Integrated in the freezer compartment, with fixed inlet water connection.  
 Can be switched off.  
 Ice cube production approx. 1.5 kg/24 h.  
 Removable ice storage container with approx. 3 kg capacity.

**Product rating**  
 Energy efficiency class E at a range of energy efficiency classes from A to G.  
 Energy consumption 333.25 kWh/year. <sup>1</sup>  
 Noise level 39 dB (A) re 1 pW.

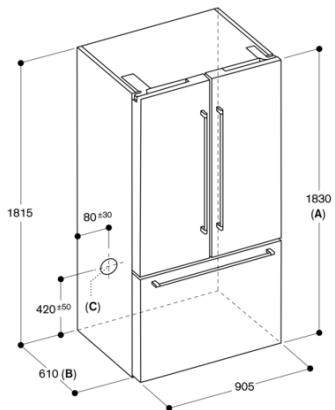
**Planning notes**  
 Door opening angle of 118°, fixable at 90°.  
 Wall recess of 25 mm necessary.  
 If the water pressure exceeds 0.8 MPa (8 bar), connect pressure relief valve between water tap and hose set.  
<sup>1</sup> To achieve the declared energy consumption, the attached spacers have to be used. The spacers increase the appliance depth by about 3.5 cm. Without the spacers, the appliance is fully functional but consumes slightly more energy.

**Connection**  
 Total connected load 0.115 KW.  
 Connecting cable 2.4 m with plug.  
 Water inlet.  
 Supply hose 3.0 m with 3/4 " connection.  
 Water pressure 2 to 8 bar.

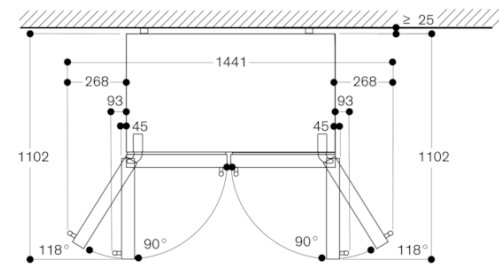
**RY295350**  
**Freestanding fridge-freezer combination 200 series**  
**With fresh cooling 0 °C**  
**Freestanding**  
**Front doors and drawer in anthracite stainless steel**  
**Width 91 cm, height 183 cm**  
 created on 2021-03-03  
 Page 2



**A:** Front is adjustable from 1830 to 1847, with front levelling feet fully extended  
**B:** With handle  
 measurements in mm

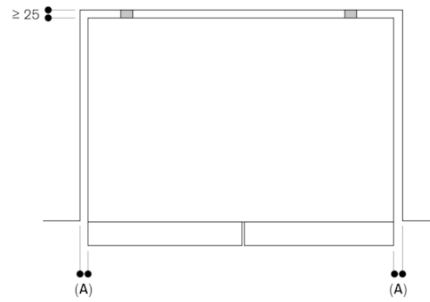


**A:** Front is adjustable from 1830 to 1847, with front levelling feet fully extended.  
**B:** Add 25 mm for fixed spacers on back  
**C:** Water connection position  
 measurements in mm



measurements in mm

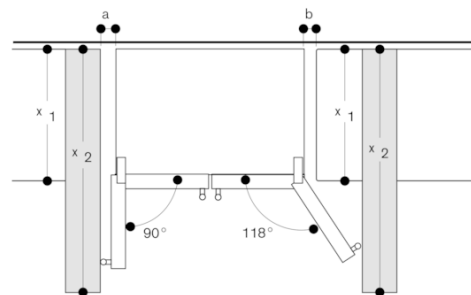
Minimum clearances



A: ≥ 3.2 mm

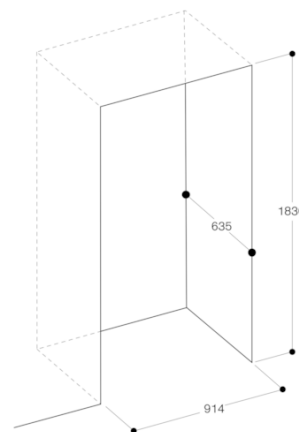
Leave a clearance of at least 12.7 mm above the appliance. Observe minimum clearances as seen above

measurements in mm



| x <sub>1</sub> (unit depth) | a  | b   |
|-----------------------------|----|-----|
| 600                         | 0  | 0   |
| 650                         | 0  | 33  |
| 700                         | 45 | 60  |
| x <sub>2</sub> (wall)       | 93 | 266 |

measurements in mm



If you install the appliance in a niche, adhere to the dimensions shown  
measurements in mm

R Y295350

Freestanding fridge-freezer  
combination 200 series

With fresh cooling 0 °C

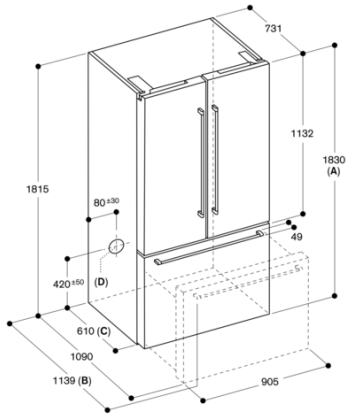
Freestanding

Front doors and drawer in anthracite  
stainless steel

Width 91 cm, height 183 cm

created on 2021-03-03

Page 3



A: Front is adjustable from 1830 to 1847, with front levelling feet fully extended.  
B: With handle  
C: Add 25 mm for fixed spacers on back  
D: Water connection position  
measurements in mm

