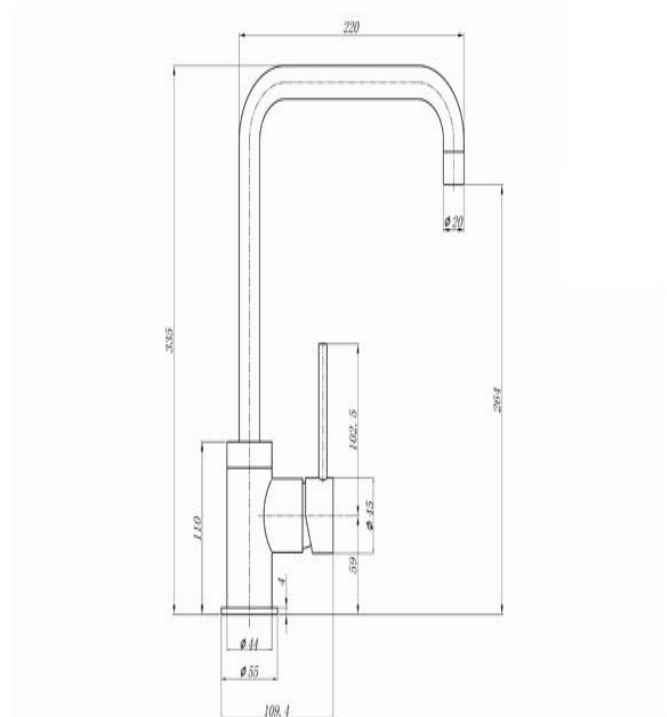


## CASCATA SQUARE SPOUT (Brushed Steel)

### With Flow Restrictor

- WRAS Approval No: 1412959
- Includes Neoperl Aerator & 1/2" flexible tails
- Min operating pressure – 0.5 bar



### Flow Rates

<u>0.5 BAR</u>	<u>1.0 BAR</u>	<u>3.0 BAR</u>
6.5	8.8	7.5

The regulator 'kicks in' at 1 bar to control the flow.

There is the initial high point at 1 bar of 8.80ltrs - this is because there is a tolerance of +/- 10% so the highest it can deliver is 8.80ltrs and the lowest could be 7.20ltrs.

Once the regulator settles and the pressure increases, it delivers the same flow rate at 3 bar.