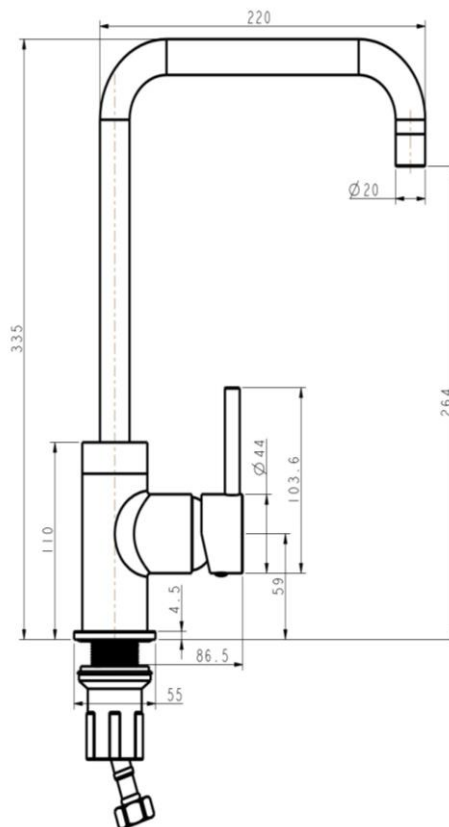


CASCATA SQUARE SPOUT TAP

CAS/01/CH – Chrome
CAS/02/BS – Brushed Steel



- Includes Neoperl Aerator and 1/2" flexible tails
- Min operating pressure – 0.5 bar
- Recommended operating pressure – 1 bar

Model	Water Pressure						Flow Rate
	0.1 Bar	0.2 Bar	0.5 Bar	1 Bar	2 Bar	3 Bar	
Cascata	2	2.7	5.1	6.7		12.1	L/min