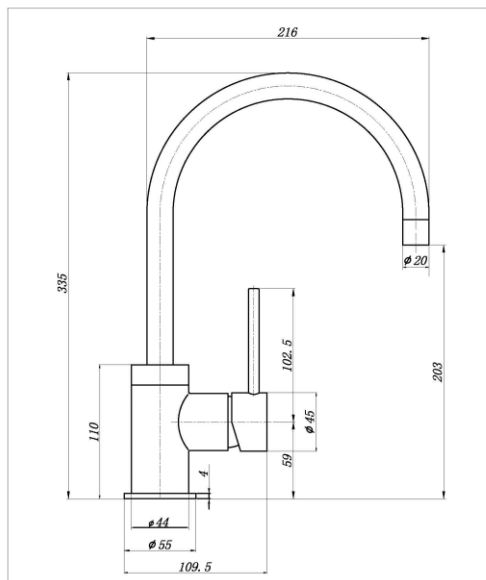


COURBE CURVED SPOUT (COPPER)
COU/04/COP

- WRAS Approved
- Includes Neoperl Aerator & 1/2" flexible tails
- Min operating pressure – 0.5 bar



Flow Rates

<u>0.5 BAR</u>	<u>1.0 BAR</u>	<u>3.0 BAR</u>
5.1	6.7	12.1