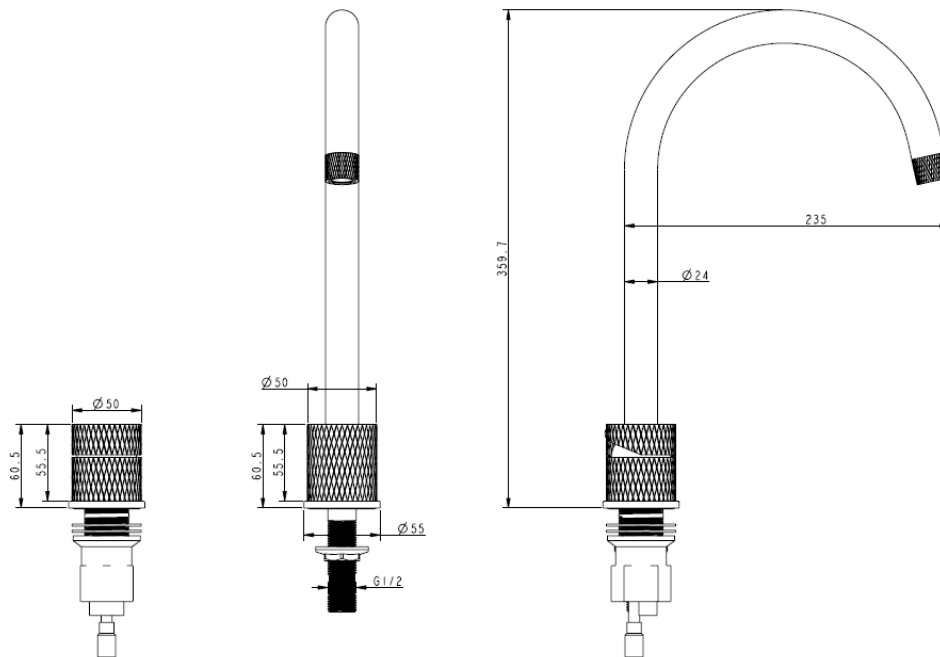


## FINIRE KNURLED TWO HOLE TAP

FIN/01/CH – Chrome  
FIN/02/BS – Brushed Steel



- Includes Neoperl Aerator and 1/2" flexible tails
- Min operating pressure – 0.5 bar
- Recommended operating pressure – 1 bar

Model	Water Pressure						Flow Rate
	0.1 Bar	0.2 Bar	0.5 Bar	1 Bar	2 Bar	3 Bar	
Finire	1.7	2.4	4.3	5.5	8.6	11	L/min