

## Product information sheet SUPRA 400-IF

Item no. 455063

### Benefits

---



- A range of classic inset bowls available with or without integrated tap ledge
- Also available in a variety of undermount sizes
- Elegant IF flat-rim for flush mount and for installation from above
- Large radii of bowl area create a practical and robust workspace

## Planning information

---

- Cut out size: 430 x 430 x R60  
Universal handling

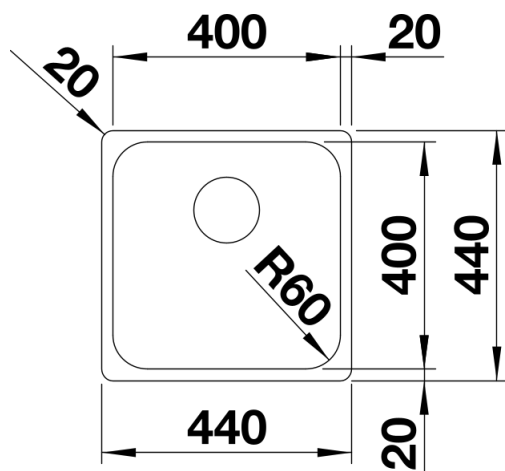
## Scope of supply

---

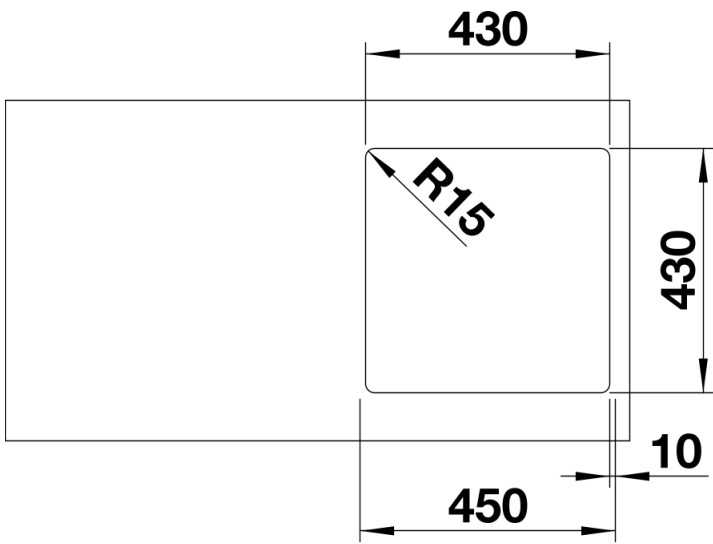
- Inset bowl with 3 ½" basket strainer waste
- overflow and waste
- fixing kit included

## Details

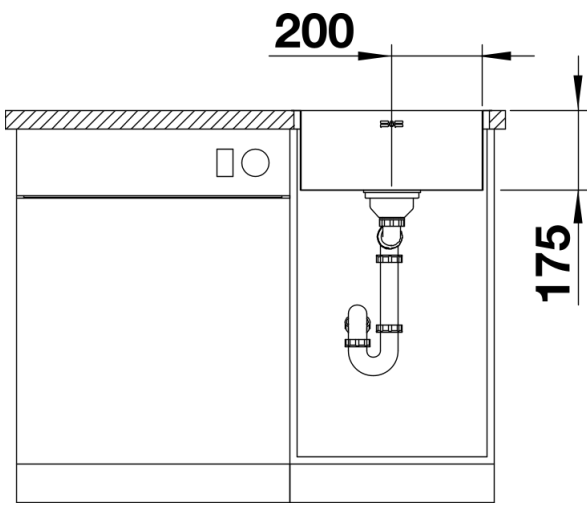
---



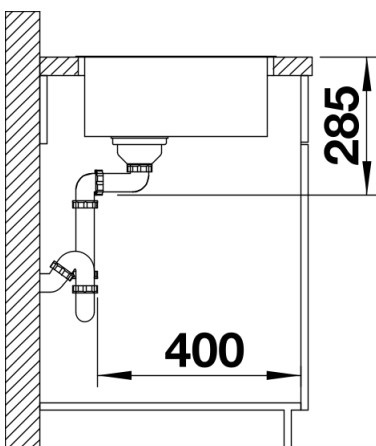
Top view



Cut-out



Front view



Side view