

Product information sheet SUPRA 400-IF/A

Item no. 455062

Benefits



- A range of classic inset bowls available with or without integrated tap ledge
- Also available in a variety of undermount sizes
- Elegant IF flat-rim for flush mount and for installation from above
- Large radii of bowl area create a practical and robust workspace

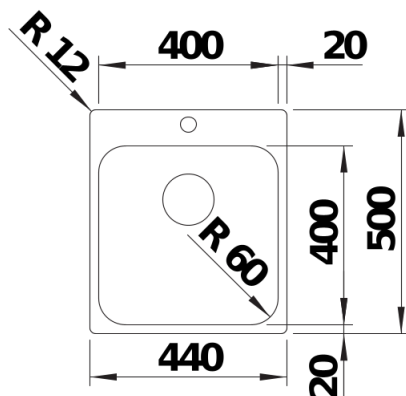
Planning information

- Cut out size: 430 x 490 x R60
Universal handing. Single hole for tap, not compatible with pop up waste

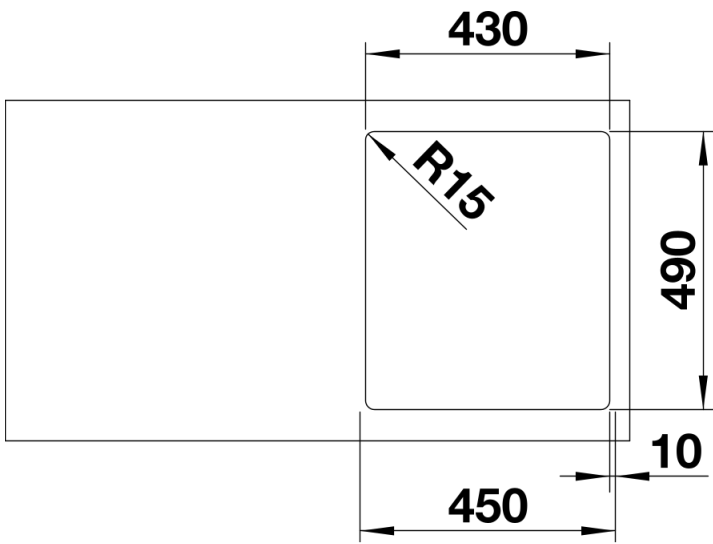
Scope of supply

- Inset bowl with 3 ½" basket strainer waste
- overflow and waste
- fixing kit included

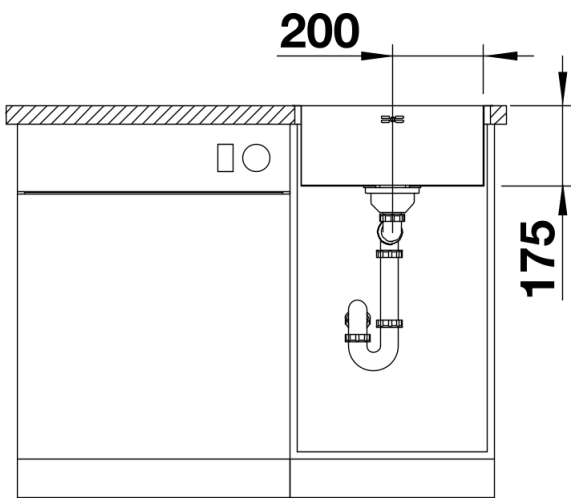
Details



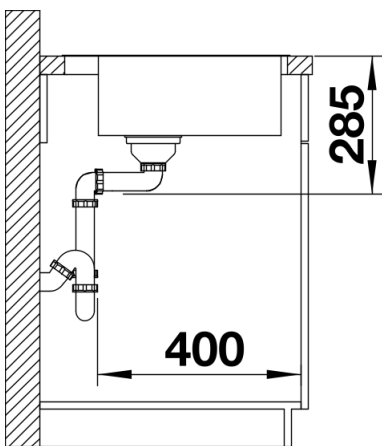
Top view



Cut-out



Front view



Side view